

N.O.F. / Inc.



4' Ariel Recycled Plastic Bench.

- Also available in 6' and 8' length. Shown in 6 ft. size.
- Inground and surface mounting kits available.
- 140 lbs.
- Dim: 48"W x 25" D x 33 1/2" Ht.
- Made with sixteen 2" x 3" recycled plastic slats and two black recycled bases.
- All holes are predrilled and countersunk for plastic lumber.
- Includes a UV protectant.
- Maintenance free.
- Available in green, cedar and redwood with black bases.
- Some assembly required.

Item# JP PB4ARIELE

Model Number	Weight	Dimensions
JP PB4ARIELE	140 lbs.	48"W x 25"D x 33 1/2" Ht.- 2 Bases
JP PB6ARIELE	195 lbs.	72"W x 25"D x 33 1/2" Ht.- 3 Bases
JP PB8ARIELE	250 Lbs.	96"W x 25"D x 33 1/2" Ht.- 4 Bases

Resinwood Slat Colors



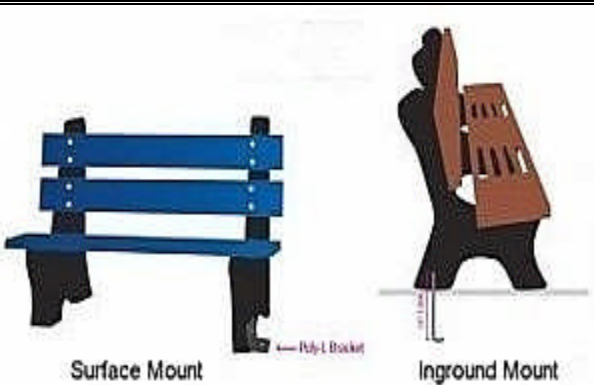
Redwood

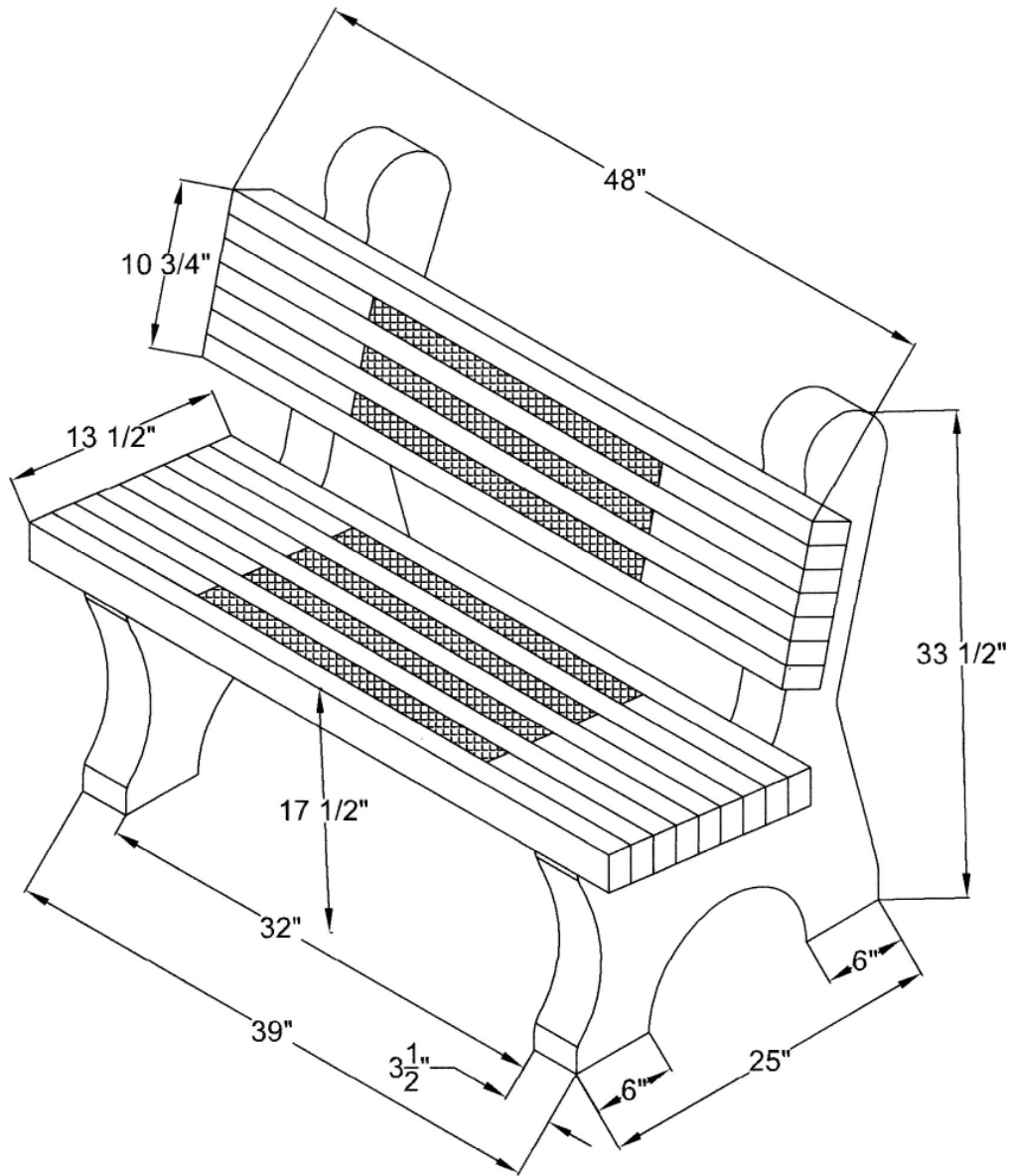


Cedar



Green





- 2"x3" SLATS ARE RECYCLED PLASTIC
- BLACK RECYCLED PLASTIC BASES
- BACK AND SEAT PRE-ASSEMBLED, COMES WITH ZINC COATED HARDWARE
- STAINLESS STEEL HARDWARE AVAILABLE
- UNIT WEIGHT APPROX. 140 LBS.

NATIONAL OUTDOOR FURNITURE, INC.

1210 W. Main Street #296 Riverhead, NY 11901
 Toll-Free Phone: 1-888-663-4621
 Phone: 631-369-9099 Fax: 631-207-8312
 Email: nofinc@optonline.net
www.nationaloutdoorfurniture.com

NATIONAL OUTDOOR FURNITURE, INC.

144 Murdock Road #325 Pomfret Center, CT 06259
 Toll-Free Phone: 1-888-516-8873
 Phone: 1-860-974-1551 Fax: 516-706-1901
 Email: nofinc@earthlink.net
www.nationaloutdoorfurniture.com