

N.O.F. / Inc.



4' 5' and 80" Renaissance Bench

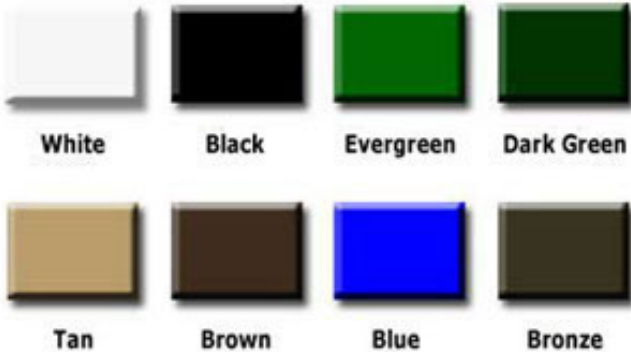
- 4' Dimensions: Dim: 30 1/4" Overall Ht x 24" Arm Ht x 15 3/4" Seat Ht x 26" Depth. 60 Lbs.
- Slat Options: Oak Slats, Recycled Plastic Slats, Aluminum Slats.
- Powder coated cast aluminum arms.
- 1/4"-20 steel zinc plated, yellow dipped carriage bolts and nuts.
- With or without mounting holes.
- 4' Bench sold with two legs. 6' and 80" bench has three legs.
- Made in the USA.
- Some assembly required.

Model # Size / Slats

KR R48O	60 Lbs. 4 Ft.-Oak
KR R48A	60 Lbs. 4 Ft.-Aluminum
KR R48F	60 Lbs. 4 Ft.-Recycled Plastic
KR R60O	80 Lbs. 5 Ft.-Oak
KR R60A	80 Lbs. 5 Ft.-Aluminum
KR R60F	80 Lbs. 5 Ft.-Recycled Plastic
KR R80O	90 Lbs. 80" Ft.-Oak
KR R80A	90 Lbs. 80" Ft.-Aluminum
KR R80F	90 Lbs. 80" Ft.-Recycled Plastic

Aluminum Slat Colors: Black, White, Brown, Tan, Evergreen, Dk. Green, Bronze, Blue, Red.
Recycled Plastic Slat Color: Cedar and Redwood.

Cast Aluminum Arm Finishes



Bench Slat Options

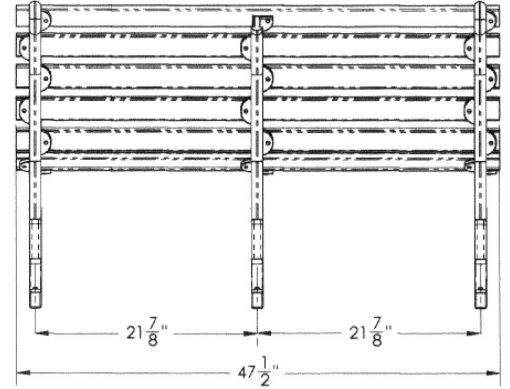
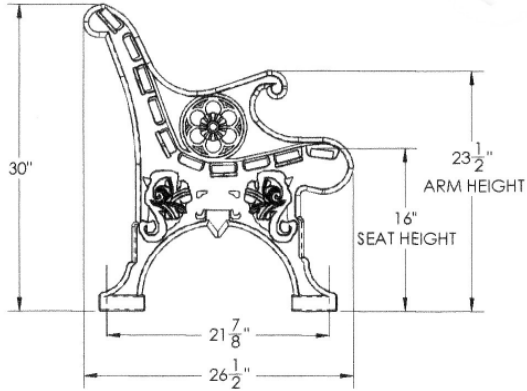


Wood Slat: 2 1/2"W x 3/4".

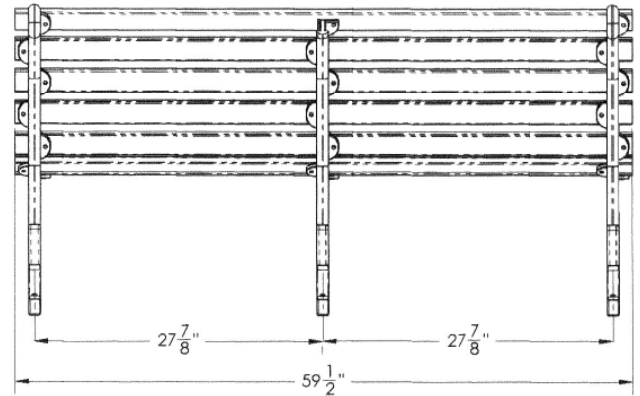
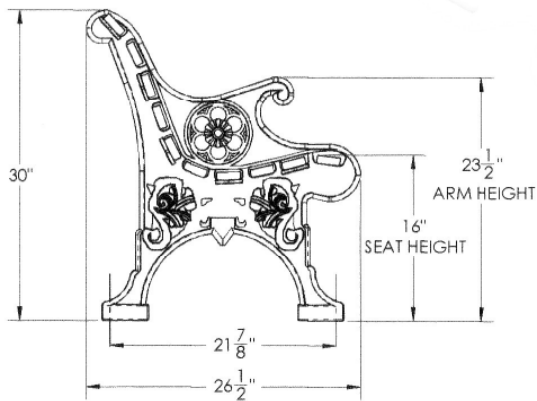
Aluminum Slat: 2 1/2"W x 3/4".

Recycled Plastic Slat: 2 1/4"W x 1"

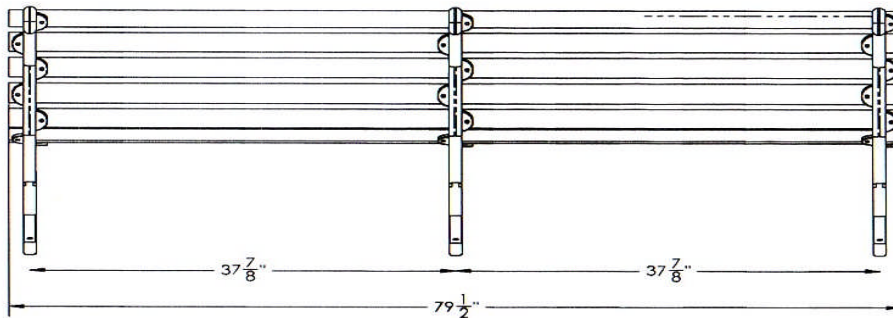
48" Renaissance Bench



60" Renaissance Bench



80 Renaissance Bench



NATIONAL OUTDOOR FURNITURE, INC.
 1210 W. Main Street #296 Riverhead, NY 11901
 Toll-Free Phone: 1-888-663-4621
 Phone: 631-369-9099 Fax: 631-207-8312
 Email: nofinc@optonline.net
www.nationaloutdoorfurniture.com

NATIONAL OUTDOOR FURNITURE, INC.
 144 Murdock Road #325 Pomfret Center, CT 06259
 Toll-Free Phone: 1-888-516-8873
 Phone: 1-860-974-1551 Fax: 516-706-1901
 Email: nofinc@earthlink.net
www.nationaloutdoorfurniture.com