



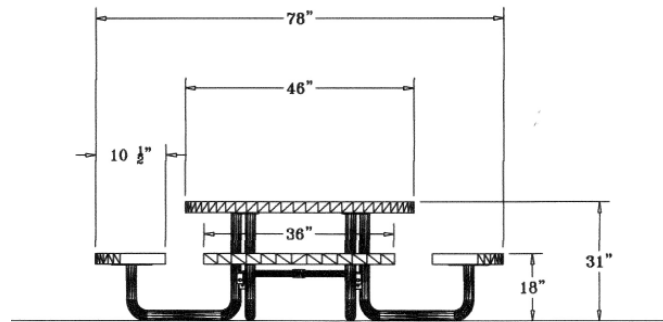
46" Round UltraLeisure Table with (4) Attached Concave Seats - Portable.

- 229 lbs.
- Top and seats are made with heavy duty thermoplastic $\frac{3}{4}$ " #9 expanded metal inside a 1" x 1 $\frac{7}{8}$ " angle iron frame. Seats are 36"
- 2" zinc coated, powder coated galvanized steel frame.
- With umbrella hole.
- Surface and inground mounting clamps available.
- Some assembly required.

Item #: WC UR46P



**Ultraleisure Style
Portable**



UltraLeisure Thermoplastic Colors



Red



Green



Blue



Black

NATIONAL OUTDOOR FURNITURE, INC.
1210 W. Main Street #296 Riverhead, NY 11901
Toll-Free Phone: 1-888-663-4621
Phone: 631-369-9099 Fax: 631-207-8312
Email: nofinc@optonline.net
www.nationaloutdoorfurniture.com

NATIONAL OUTDOOR FURNITURE, INC.
144 Murdock Road #325 Pomfret Center, CT 06259
Toll-Free Phone: 1-888-516-8873
Phone: 1-860-974-1551 Fax: 516-706-1901
Email: nofinc@earthlink.net
www.nationaloutdoorfurniture.com