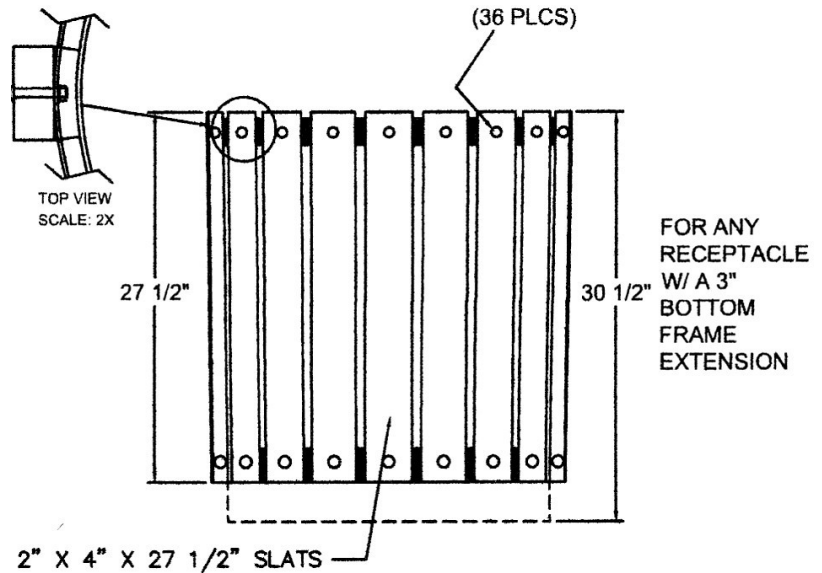




32 Gallon Wood Trash Receptacle - Pine Slats.

- 2" x 4" x 27 1/2" Pressure treated pine slats. 89 Lbs.
- The top ring is constructed from 7 Ga. x 2" steel for strength and durability.
- The bottom ring is constructed from 7 Ga. x 2 1/2" steel rolled to a 22 1/2" ID and reinforced with 7 Ga. x 2" steel bar straps.
- All frames are continuously welded for strength.
- Frames are available in non-toxic gray powder coat.
- All exposed corners are chamfered for safety.
- Assembly fasteners are 5/16" dia. galvanized steel carriage bolts with galvanized washers and nuts.
- Inground pad/mount sold separately.

Item #: JTA 124281



NATIONAL OUTDOOR FURNITURE, INC.

1210 W. Main Street #296 Riverhead, NY 11901
Toll-Free Phone: 1-888-663-4621
Phone: 631-369-9099 Fax: 631-207-8312
Email: nofinc@optonline.net
www.nationaloutdoorfurniture.com

NATIONAL OUTDOOR FURNITURE, INC.

144 Murdock Road #325 Pomfret Center, CT 06259
Toll-Free Phone: 1-888-516-8873
Phone: 1-860-974-1551 Fax: 516-706-1901
Email: nofinc@earthlink.net
www.nationaloutdoorfurniture.com