

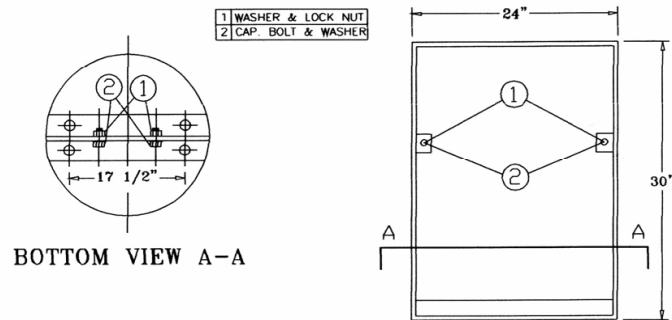
N.O.F. / Inc.



32 Gallon UltraLeisure Trash Receptacle

- 70 lbs.
- 3/4" #9 Expanded thermoplastic coated metal.
- Flat lid/dome top and liner sold separately. Dome top and liner come in limited colors. 8" Lid opening can be purchased with or without ash bonnet or rain bonnet.
- Shown with flat lid and 16" opening.
- Basic colors only.
- Mounting options available.

Item #: WC ULT32



Receptacle Tops and Mounting



Dome Top Flat Top with Rain & Ash Bonnet



Flat Top with 8" & 14" Opening



Surface & Inground Mounts

UltraLeisure Thermoplastic Colors



NATIONAL OUTDOOR FURNITURE, INC.
 1210 W. Main Street #296 Riverhead, NY 11901
 Toll-Free Phone: 1-888-663-4621
 Phone: 631-369-9099 Fax: 631-207-8312
 Email: nofinc@optonline.net
www.nationaloutdoorfurniture.com

NATIONAL OUTDOOR FURNITURE, INC.
 144 Murdock Road #325 Pomfret Center, CT 06259
 Toll-Free Phone: 1-888-516-8873
 Phone: 1-860-974-1551 Fax: 516-706-1901
 Email: nofinc@earthlink.net
www.nationaloutdoorfurniture.com