



## Powder Coated Finishes



Black with Flat Top

Green with Rain Top



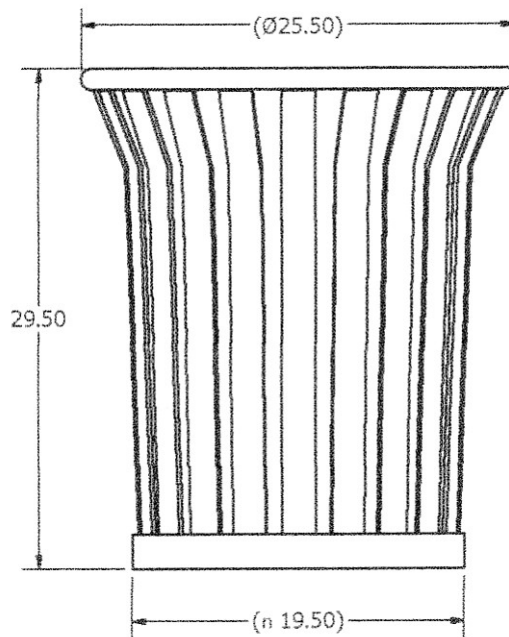
Brown with Ash Top

Black with Dome Top

### 24 Gallon Oakley Slatted Receptacle.

- 22 1/2" diameter x 35" Ht. 55 Lbs.
- Durable TGIC powder-coated finish for indoor or outdoor use.
- Durable black plastic liner is included.
- Anchor kit, lid attachment kit and built-in leveling feet included.
- Sold with flat top, rain top, ash top or dome top.
- 5 Year Warranty.

**Item #:** WT M2401



**NATIONAL OUTDOOR FURNITURE, INC.**  
1210 W. Main Street #296 Riverhead, NY 11901  
Toll-Free Phone: 1-888-663-4621  
Phone: 631-369-9099 Fax: 631-207-8312  
Email: [nofinc@optonline.net](mailto:nofinc@optonline.net)  
[www.nationaloutdoorfurniture.com](http://www.nationaloutdoorfurniture.com)

**NATIONAL OUTDOOR FURNITURE, INC.**  
144 Murdock Road #325 Pomfret Center, CT 06259  
Toll-Free Phone: 1-888-516-8873  
Phone: 1-860-974-1551 Fax: 516-706-1901  
Email: [nofinc@earthlink.net](mailto:nofinc@earthlink.net)  
[www.nationaloutdoorfurniture.com](http://www.nationaloutdoorfurniture.com)