



24 Gallon Wydman Slatted Receptacle

- 22 1/2" diameter x 25 1/2 Ht. 106 Lbs.
- Durable TGIC powder-coated finish for indoor or outdoor use. Brown, black, green and silver.
- Durable black plastic liner is included.
- Anchor kit, lid attachment kit and built-in leveling feet included.
- Durable, long-lasting flat bar steel construction..
- 5 Year Warranty.

Item #: WT WC2400

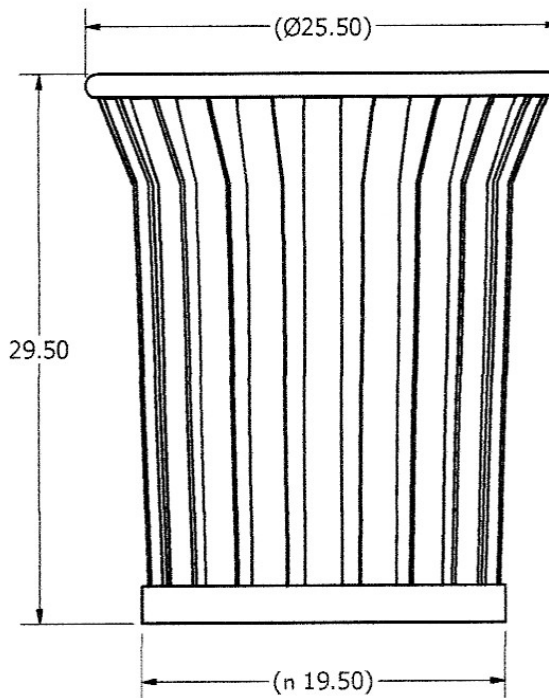
Powder Coated Finishes



Green

Brown

Black



NATIONAL OUTDOOR FURNITURE, INC.

1210 W. Main Street #296 Riverhead, NY 11901

Toll-Free Phone: 1-888-663-4621

Phone: 631-369-9099 Fax: 631-207-8312

Email: nofinc@optonline.net

www.nationaloutdoorfurniture.com

NATIONAL OUTDOOR FURNITURE, INC.

144 Murdock Road #325 Pomfret Center, CT 06259

Toll-Free Phone: 1-888-516-8873

Phone: 1-860-974-1551 Fax: 516-706-1901

Email: nofinc@earthlink.net

www.nationaloutdoorfurniture.com