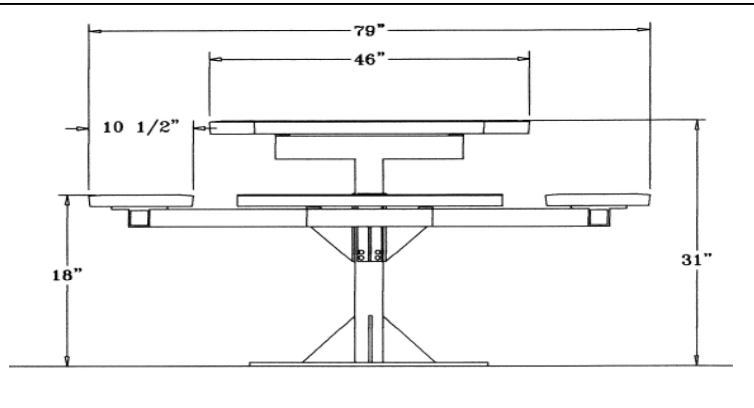




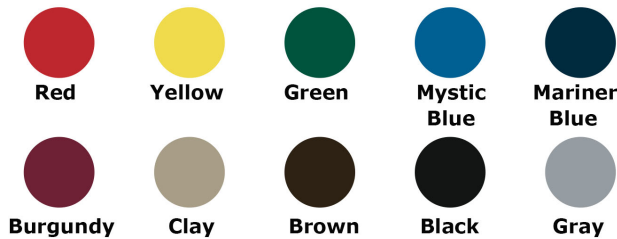
**46" Round Regal Table with (4) Attached Concave Seats - Surface Mount.**

- 361 lbs. Overall Dim: 79" x 79" Square x 31"Ht.
- Top and seats are made with polyethylene  $\frac{3}{4}$ " #9 expanded metal inside a  $\frac{3}{4}$ " x 2" x  $\frac{1}{8}$ " angle iron frame.
- 4" square galvanized, zinc coated powder coated pedestal.
- With umbrella hole.
- Some assembly required.

**Item #:** WC RRD46SM



**Textured Polyethylene Colors**



**Powder Coat Gloss Colors**



**NATIONAL OUTDOOR FURNITURE, INC.**  
 1210 W. Main Street #296 Riverhead, NY 11901  
 Toll-Free Phone: 1-888-663-4621  
 Phone: 631-369-9099 Fax: 631-207-8312  
 Email: [nofinc@optonline.net](mailto:nofinc@optonline.net)  
[www.nationaloutdoorfurniture.com](http://www.nationaloutdoorfurniture.com)

**NATIONAL OUTDOOR FURNITURE, INC.**  
 144 Murdock Road #325 Pomfret Center, CT 06259  
 Toll-Free Phone: 1-888-516-8873  
 Phone: 1-860-974-1551 Fax: 516-706-1901  
 Email: [nofinc@earthlink.net](mailto:nofinc@earthlink.net)  
[www.nationaloutdoorfurniture.com](http://www.nationaloutdoorfurniture.com)