



CAMLOCK

ASSEMBLY & INSTALLATION



Attach spigot to base plate.
Insert hex key rotate until **CAMLOCK** engages

Remove key & store in safe place.



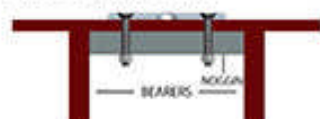
CONCRETE



3 x countersunk concrete screws (5.5MM X 60)
OR
3 X countersunk Dynabolts (min. 50mm)

CONCRETE SLAB SHOULD BE MINIMUM 3" THICK

WOODEN DECK



ALL BOLTS MUST BE SECURED TO BEARERS

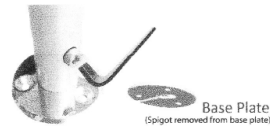
Camlock Surface Umbrella Base.

- 9 Lbs.
- 18" High
- 1 1/2" Stem.
- Accomodates 1 1/2" diameter umbrella pole.
- Dual locking screws.
- Used for concrete and deck installation.

Item #: FF CMLK-SM

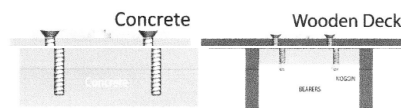
CAMLOCK

ASSEMBLY & INSTALLATION



Attach spigot to balate
Insert hex key rotate until **CAMLOCK** engages

Remove key and store in safe place.



3 x countersunk concrete screws (6.5mm x 60mm)
OR
3 x countersunk dynabolts (min. 50mm)

Concrete Slab should be minimum 3" thick

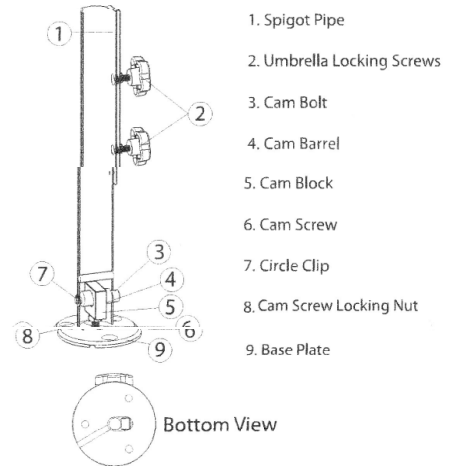
(All bolts must be secured to bearers)



Top View

CAMLOCK

ASSEMBLY & INSTALLATION



Bottom View

NATIONAL OUTDOOR FURNITURE, INC.

1210 W. Main Street #296. Riverhead, NY 11901
Toll-Free Phone: 1-888-663-4621
Phone: 631-369-9099 Fax: 631-207-8312
Email: nofinc@optonline.net
www.nationaloutdoorfurniture.com

NATIONAL OUTDOOR FURNITURE, INC.

144 Murdock Road #325 Pomfret Center, CT 06259
Toll-Free Phone: 1-888-516-8873
Phone: 1-860-974-1551 Fax: 516-706-1901
Email: nofinc@earthlink.net
www.nationaloutdoorfurniture.com