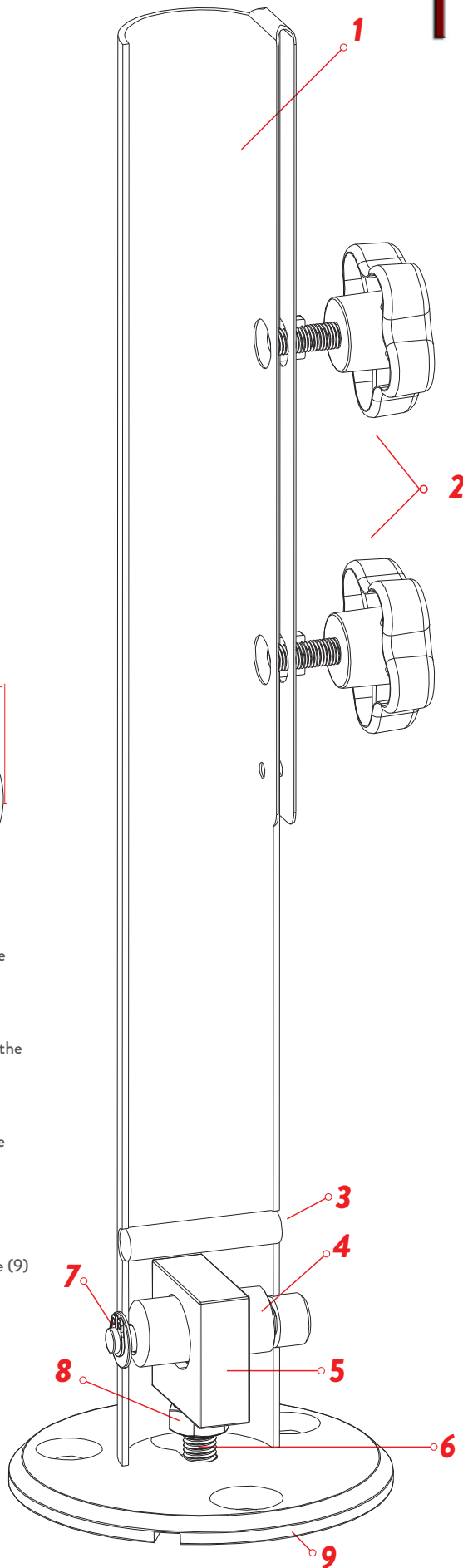
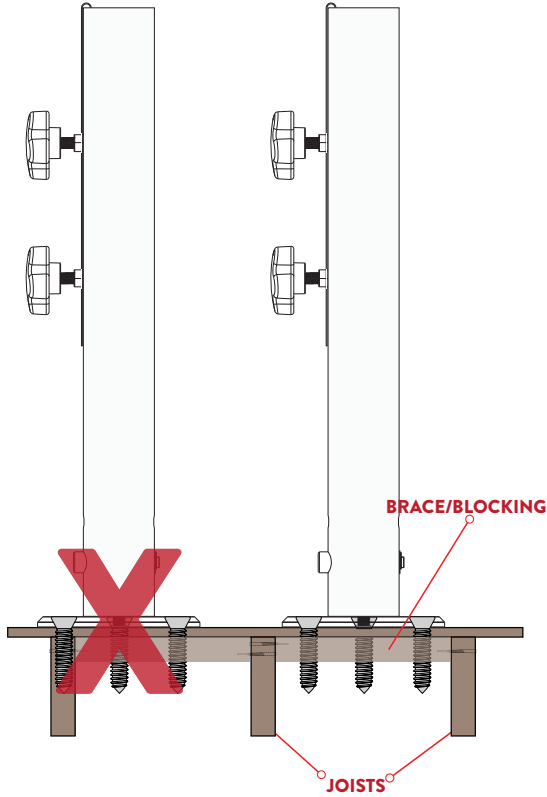


- 1 Slide the cam screw (6) down and into the lobe on the base plate (9).
- 2 Slide the stem pipe (1) into the center of the base plate (9)
- 3 Use the supplied Allen key, insert into the cam barrel (4).
- 4 Give the Allen key a 1/4 turn clockwise, locking the stem pipe (1) to the base plate (9)



1. STEM PIPE
2. THUMB SCREWS
3. CAM LOCKING BOLT
4. CAM BARREL
5. CAM BLOCK
6. CAM SCREW
7. CIRCLE CLIP
8. CAM SCREW LOCKING NUT
9. BASE PLATE



WOOD DECKING INSTALLATION

Once you have decided on the location of the CAMLOCK base plate (9), use a level to ensure the base plate is level before you begin drilling. If the base plate (9) is not level, use galvanized or stainless steel washers to level the base plate (9) on the wood decking. Use your wood lag fasteners and begin drilling. Make sure each of the three holes goes through wood plank decking and brace/blocking underneath.

IMPORTANT: DO NOT DRILL INTO JOISTS

Attach the stem pipe (1) to the base plate (9) using the supplied Allen key and with a 1/4 turn clockwise, lock the stem pipe (1) to the base plate (9).

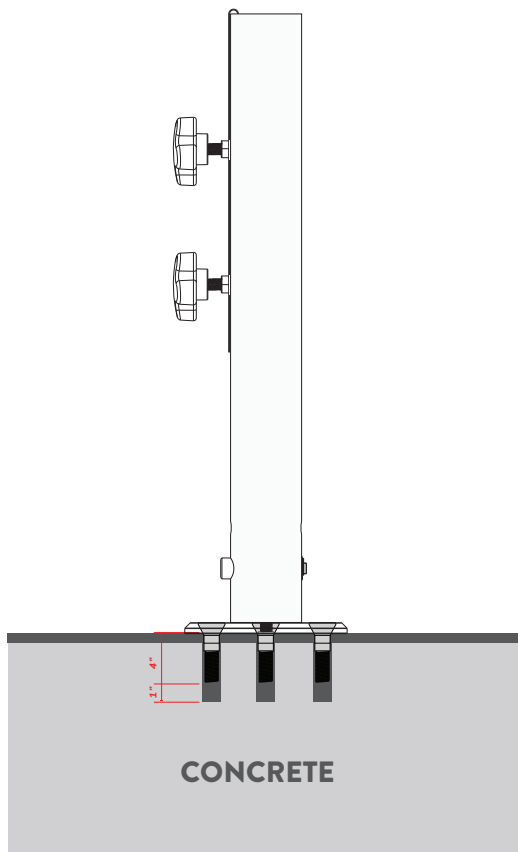
Make sure the thumbscrews (2) are loosened and fully open, insert the bottom pole of your umbrella, then tighten the thumbscrews (2) firmly to the pole.

HARDWARE NEEDED:

3-4" Wood lag fasteners
Decently AMP rated cord/less power drill
Galvanized/Stainless Steel Washers (If needed)
Level

HARDWARE INCLUDED:

Allen key



CONCRETE INSTALLATION

Once you have decided on the location of the CAMLOCK base plate (9), use a level to ensure the base plate is level before you begin drilling. If the base plate (9) is not level, use galvanized or stainless steel washers to level the base plate (9) on the concrete. Use the three holes in the base plate as a template to start drilling each of the holes into the concrete. Drill each of the three holes using a hammer drill, down to about .5" deeper than the concrete bolt being used. This allows space for the bolt if dust falls to the bottom of the hole.

Torque down the three bolts through the base plate with washers (if needed) until they are fully wound in and are tightly holding the deck plate. Attach the stem pipe (1) to the base plate (9) using the supplied Allen key and with a 1/4 turn clockwise, lock the stem pipe (1) to the base plate (9).

Make sure the thumbscrews (2) are loosened and fully open, insert the bottom pole of your umbrella, then tighten the thumbscrews (2) firmly to the pole.

HARDWARE NEEDED:

4" Concrete Lag bolts. / Dyna Bolts
Hammer Drill
Galvanized/Stainless Steel Washers (If needed)
Level

HARDWARE INCLUDED:

Allen key