

# N.O.F. / Inc.



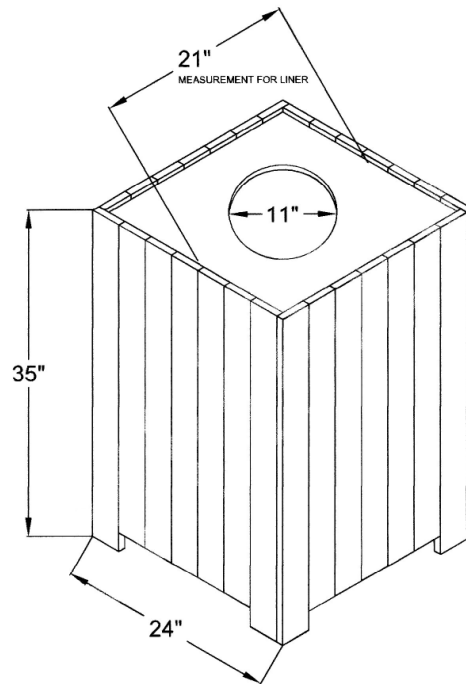
## 32 and 55 Gallon Square Recycled Plastic Trash Receptacle.

- 75 lbs.
- Made with twentyeight 1" x 4" recycled plastic slats.
- Stands on four legs.
- Includes a UV protectant.
- Dome top and rain bonnet sold separately. No liner.
- Available in brown, green, cedar and gray with black lid.
- Some assembly required.
- Flat top lid included.

**Item #:** JP PB32S

|          |                            |
|----------|----------------------------|
| JP PB32S | 32 Gallon Trash Receptacle |
| JP PB55S | 55 Gallon Trash Receptacle |

### Resinwood Slat Colors



- MADE WITH TWENTY-EIGHT 1"X 4" RECYCLED PLASTIC SLATS.
- RECYCLED PLASTIC STRUCTURE
- LINER NOT INCLUDED
- UNIT WEIGHT APPROX. 90 LBS.

### Lid Options

**NATIONAL OUTDOOR FURNITURE, INC.**  
 1210 W. Main Street #296 Riverhead, NY 11901  
 Toll-Free Phone: 1-888-663-4621  
 Phone: 631-369-9099 Fax: 631-207-8312  
 Email: [nofinc@optonline.net](mailto:nofinc@optonline.net)  
[www.nationaloutdoorfurniture.com](http://www.nationaloutdoorfurniture.com)

**NATIONAL OUTDOOR FURNITURE, INC.**  
 144 Murdock Road #325 Pomfret Center, CT 06259  
 Toll-Free Phone: 1-888-516-8873  
 Phone: 1-860-974-1551 Fax: 516-706-1901  
 Email: [nofinc@earthlink.net](mailto:nofinc@earthlink.net)  
[www.nationaloutdoorfurniture.com](http://www.nationaloutdoorfurniture.com)