

# N.O.F. / Inc.



## 4' Saint Pete Recycled Plastic Bench – Surface Mount.

- Also available in 6' and 8' length. Shown in 6 ft. size.
- 75 lbs.
- Dim: 48"W x 19"D x 32 1/4"Ht.
- Made with nine 2" x 4" recycled plastic slats and industrial grade aluminum legs.
- All holes are predrilled and countersunk for plastic lumber.
- Includes a UV protectant.
- Maintenance free.
- Available in green, cedar or gray with aluminum legs.
- Some assembly required.

**Item#** JP PB4STP

Model Number	Weight	Dimensions
JP PB4STP	75 lbs.	48"W x 19"D x 33 1/4" Ht.- 2 Bases
JP PB6STP	110 lbs.	72"W x 19"D x 33 1/4" Ht.- 3 Bases
JP PB8STP	145 Lbs.	96"W x 19"D x 33 1/4" Ht.- 4 Bases

## Resinwood Slat Colors



Brown



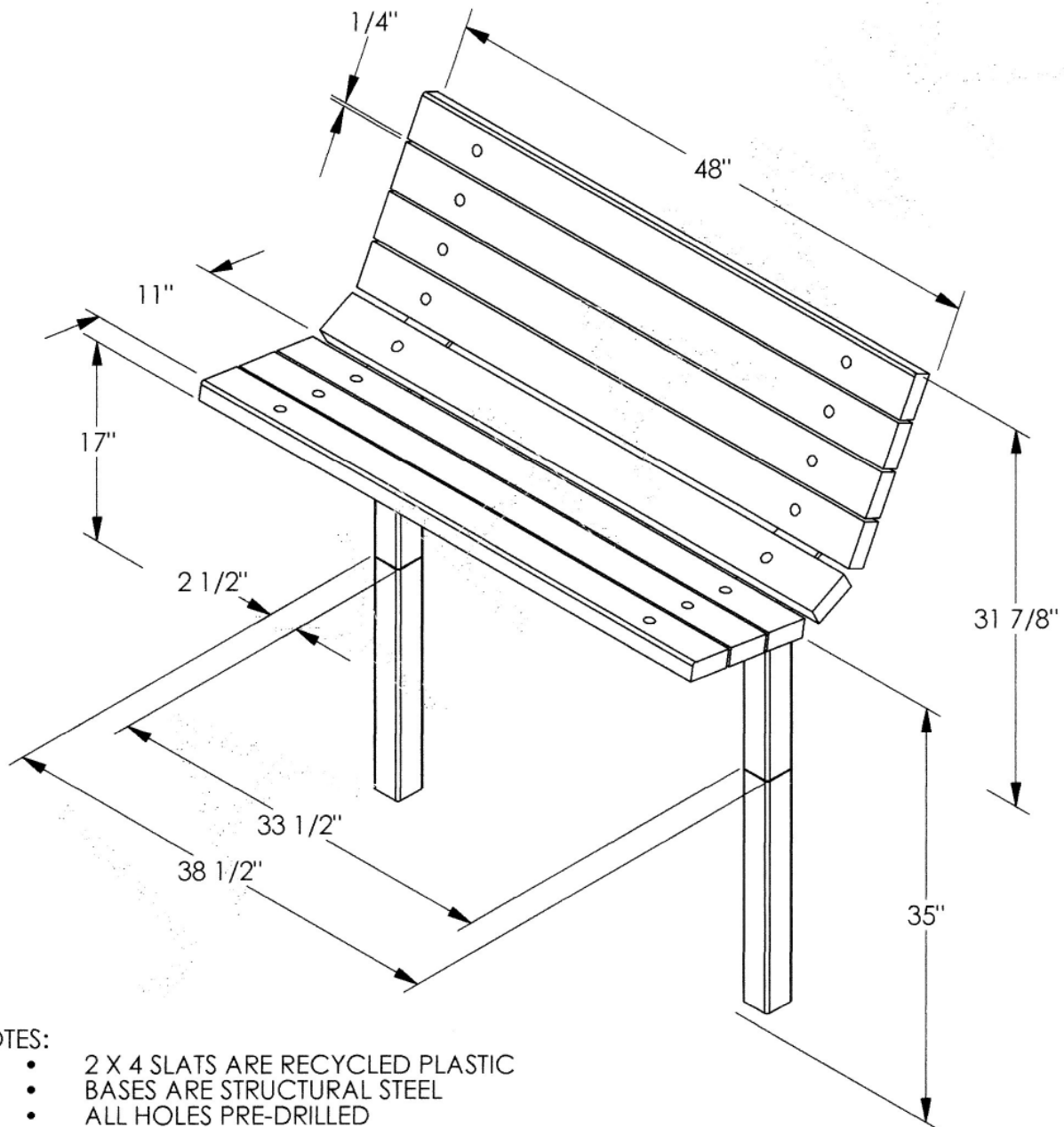
Cedar



Green



Gray



NOTES:

- 2 X 4 SLATS ARE RECYCLED PLASTIC
- BASES ARE STRUCTURAL STEEL
- ALL HOLES PRE-DRILLED
- ALL HARDWARE IS ZINC PLATED (3/8 X 2 1/4 LG. RND HD. BOLT WITH LOCK NUT)
- STAINLESS STEEL HARDWARE AVAILABLE
- UNIT WEIGHT APPROX. 110 LBS.

**NATIONAL OUTDOOR FURNITURE, INC.**

1210 W. Main Street #296 Riverhead, NY 11901  
 Toll-Free Phone: 1-888-663-4621  
 Phone: 631-369-9099 Fax: 631-207-8312  
 Email: [nofinc@optonline.net](mailto:nofinc@optonline.net)  
[www.nationaloutdoorfurniture.com](http://www.nationaloutdoorfurniture.com)

**NATIONAL OUTDOOR FURNITURE, INC.**

144 Murdock Road #325 Pomfret Center, CT 06259  
 Toll-Free Phone: 1-888-516-8873  
 Phone: 1-860-974-1551 Fax: 516-706-1901  
 Email: [nofinc@earthlink.net](mailto:nofinc@earthlink.net)  
[www.nationaloutdoorfurniture.com](http://www.nationaloutdoorfurniture.com)