

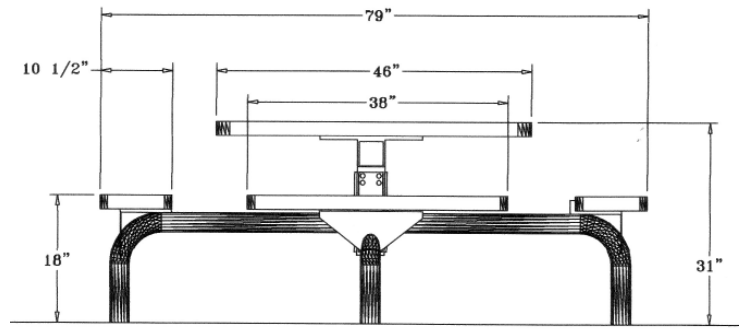


**Classic Web Style  
Inground Mount ADA**

**46" x 57" Square Web Classic Table with (3) Attached Seats, Rounded Corners - ADA/Inground Mount.**

- 265 lbs.
- Polyethylene coated 3/4" #9 expanded metal tops, Rolled Edges
- Made with polyethylene coated ribbed steel seats.
- 2 7/8" zinc coated, powder coated galvanized frame.
- Also available in surface mount.
- With umbrella hole.
- Some assembly required.

**Item #:** WC WCSQ46ADA-3IG



**Textured Polyethylene Colors**



**Powder Coat Gloss Colors**



**NATIONAL OUTDOOR FURNITURE, INC.**  
 1210 W. Main Street #296 Riverhead, NY 11901  
 Toll-Free Phone: 1-888-663-4621  
 Phone: 631-369-9099 Fax: 631-207-8312  
 Email: [nofinc@optonline.net](mailto:nofinc@optonline.net)  
[www.nationaloutdoorfurniture.com](http://www.nationaloutdoorfurniture.com)

**NATIONAL OUTDOOR FURNITURE, INC.**  
 144 Murdock Road #325 Pomfret Center, CT 06259  
 Toll-Free Phone: 1-888-516-8873  
 Phone: 1-860-974-1551 Fax: 516-706-1901  
 Email: [nofinc@earthlink.net](mailto:nofinc@earthlink.net)  
[www.nationaloutdoorfurniture.com](http://www.nationaloutdoorfurniture.com)