



48" Square ADA Picnic Table with (3) Seats - Surface Mount.

- Overall Dimensions: 73 7/8" x 60 15/16" x 31 7/8"H.
- Wood style or aluminum style 2" x 10" planks.
- 4" x 4" All MIG welded frame with zinc or galvanized plated hardware.
- 2 7/8" Round support arms.
- Zinc coated, galvanized, powder coated finish or galvanized frame.
- Available in Untreated Pine, Treated Pine, Redwood Stained Pine and Aluminum Planks.
- Available in surface or inground mount.
- Available as ADA table with 2 seats.
- Some assembly required.

Item #: US 338S

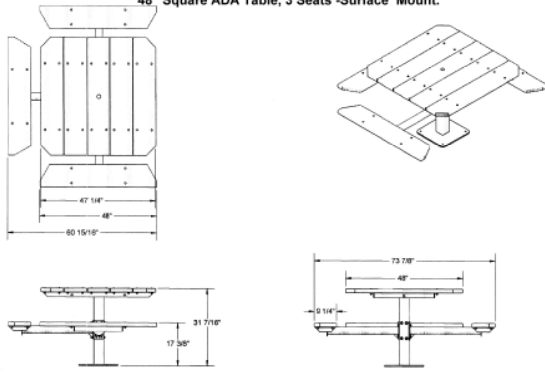


Powder Coat Colors

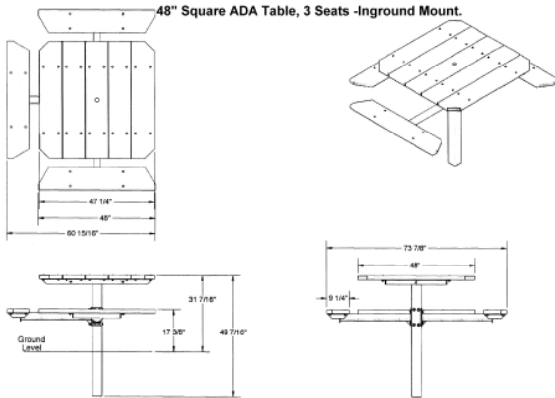


Model Number	Description
US 3383SMH3-U48	48" ADA Table, 255 Lbs., (3) Attached Seats, Untreated Pine, Surface Mouut.
US 3383SM3 –PT48	48" ADA Table, 255 Lbs., (3) Attached Seats, Treated Pine, Surface Mouut.
US 3383SM3 –T48	48" ADA Table, 255 Lbs., (3) Attached Seats, Redwood Stained Pine, Surface Mouut.
US 3383SM3 –A48	48" ADA Table, 224 Lbs., (3) Attached Seats, Aluminum, Surface Mouut.
US 3383SH3-U48	48" ADA Table, 224 Lbs., (3) Attached Seats, Untreated Pine, Inground Mount.
US 3383SH3 –PT48	48" ADA Table, 219 Lbs., (3) Attached Seats, Treated Pine, Inground Mount.
US 3383SH3 –T48	48" ADA Table, 219 Lbs., (3) Attached Seats, Redwood Stained Pine, Inground Mount.
US 3383SH3 –A48	48" ADA Table, 198 Lbs., (3) Attached Seats, Aluminum, Inground Mount.
US 3382SMH3-U48	48" ADA Table, 245 Lbs., (2) Attached Seats, Untreated Pine, Surface Mouut.
US 3382SMH3 –PT48	48" ADA Table, 245 Lbs., (2) Attached Seats, Treated Pine, Surface Mouut.
US 3382SMH3 –T48	48" ADA Table, 245 Lbs., (2) Attached Seats, Redwood Stained Pine, Surface Mouut.
US 3382SM H3–A48	48" ADA Table, 193 Lbs., (2) Attached Seats, Aluminum, Surface Mouut.
US 3382SH3-U48	48" ADA Table, 219 Lbs., (2) Attached Seats, Untreated Pine, Inground Mount.
US 3382SH3 –PT48	48' ADA Table, 219 Lbs., (2) Attached Seats, Treated Pine, Inground Mount.
US 3382SH3 –T48	48" ADA Table, 219 Lbs., (2) Attached Seats, Redwood Stained Pine, Inground Mount.
US 3382SH3 –A48	48" ADA Table, 193 Lbs., (2) Attached Seats, Aluminum, Inground Mount.

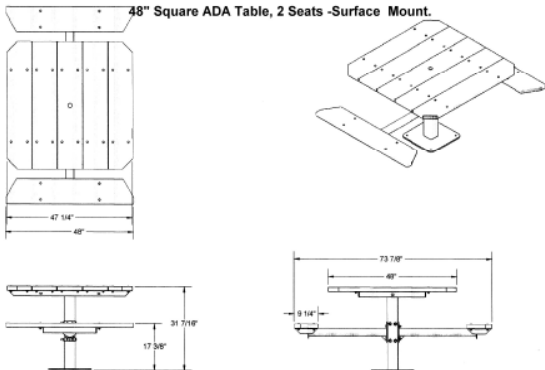
48" Square ADA Table, 3 Seats -Surface Mount.



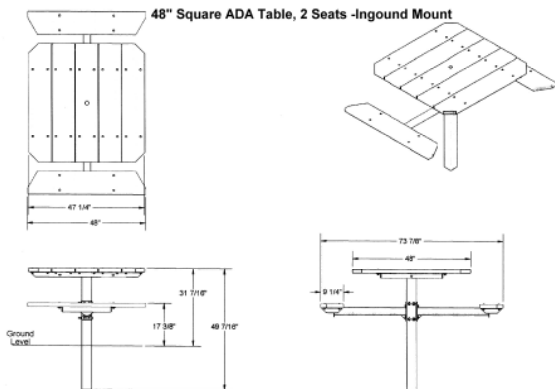
48" Square ADA Table, 3 Seats -Inground Mount.



48" Square ADA Table, 2 Seats -Surface Mount.



48" Square ADA Table, 2 Seats -Inground Mount



NATIONAL OUTDOOR FURNITURE, INC.
 1210 W. Main Street #296 Riverhead, NY 11901
 Toll-Free Phone: 1-888-663-4621
 Phone: 631-369-9099 Fax: 631-207-8312
 Email: nofinc@optonline.net
www.nationaloutdoorfurniture.com

NATIONAL OUTDOOR FURNITURE, INC.
 144 Murdock Road #325 Pomfret Center, CT 06259
 Toll-Free Phone: 1-888-516-8873
 Phone: 1-860-974-1551 Fax: 516-706-1901
 Email: nofinc@earthlink.net
www.nationaloutdoorfurniture.com