

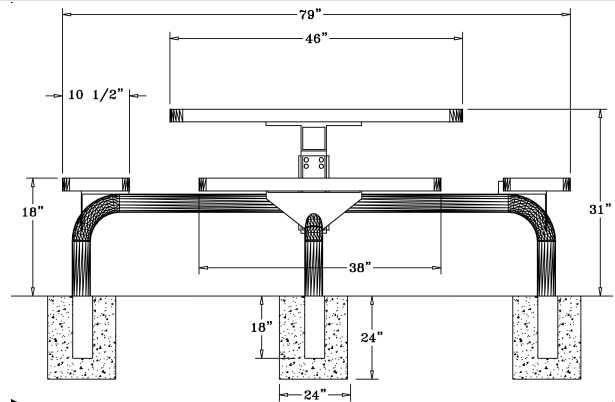


**Regal Style
Inground Mount**

**46" x 57" Regal Web Table with (3) Attached Seats
- ADA/Inground Mount**

- 254 lbs.
 - Top and seats are made with polyethylene coated 3/4" #9 expanded metal.
 - Zinc coated, galvanized, powder coated 4" pedestal.
 - With umbrella hole.
 - Some assembly required.
- Available in surface mount version.

Item #: WC WSQ46ADA-3IG



Textured Polyethylene Colors



Powder Coat Gloss Colors



NATIONAL OUTDOOR FURNITURE, INC.
 1210 W. Main Street #296 Riverhead, NY 11901
 Toll-Free Phone: 1-888-663-4621
 Phone: 631-369-9099 Fax: 631-207-8312
 Email: nofinc@optonline.net
www.nationaloutdoorfurniture.com

NATIONAL OUTDOOR FURNITURE, INC.
 144 Murdock Road #325 Pomfret Center, CT 06259
 Toll-Free Phone: 1-888-516-8873
 Phone: 1-860-974-1551 Fax: 516-706-1901
 Email: nofinc@earthlink.net
www.nationaloutdoorfurniture.com