



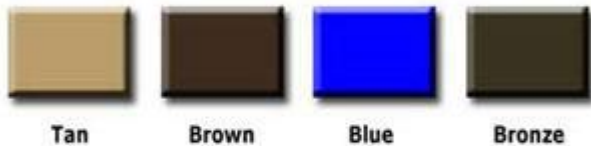
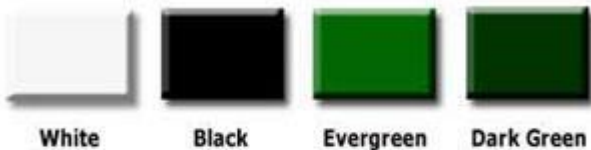
32 Gallon Township Trash Receptacle - Oak Slats.

- Oak Slats, Recycled Plastic Slats, Aluminum Slats.
- Overall dimensions without top. 26" Wide x 31" High. 90 Lbs.
- 3/8" space between slats.
- Primer powder coated with zinc rich base. 8 colors available for aluminum slats.
- 32 Gallon liner included. Funnel and dome top not included.

Item #: KR TTR

Model	Slats
KR TTRO-O	90 Lbs. Oak Slats
KR TTR-A	100 Lbs. Aluminum Slats
KR TTR-RP	100 Lbs. Recyled Plastic Slats

Trash Receptacle Finishes



Funnel Top



Dome Top

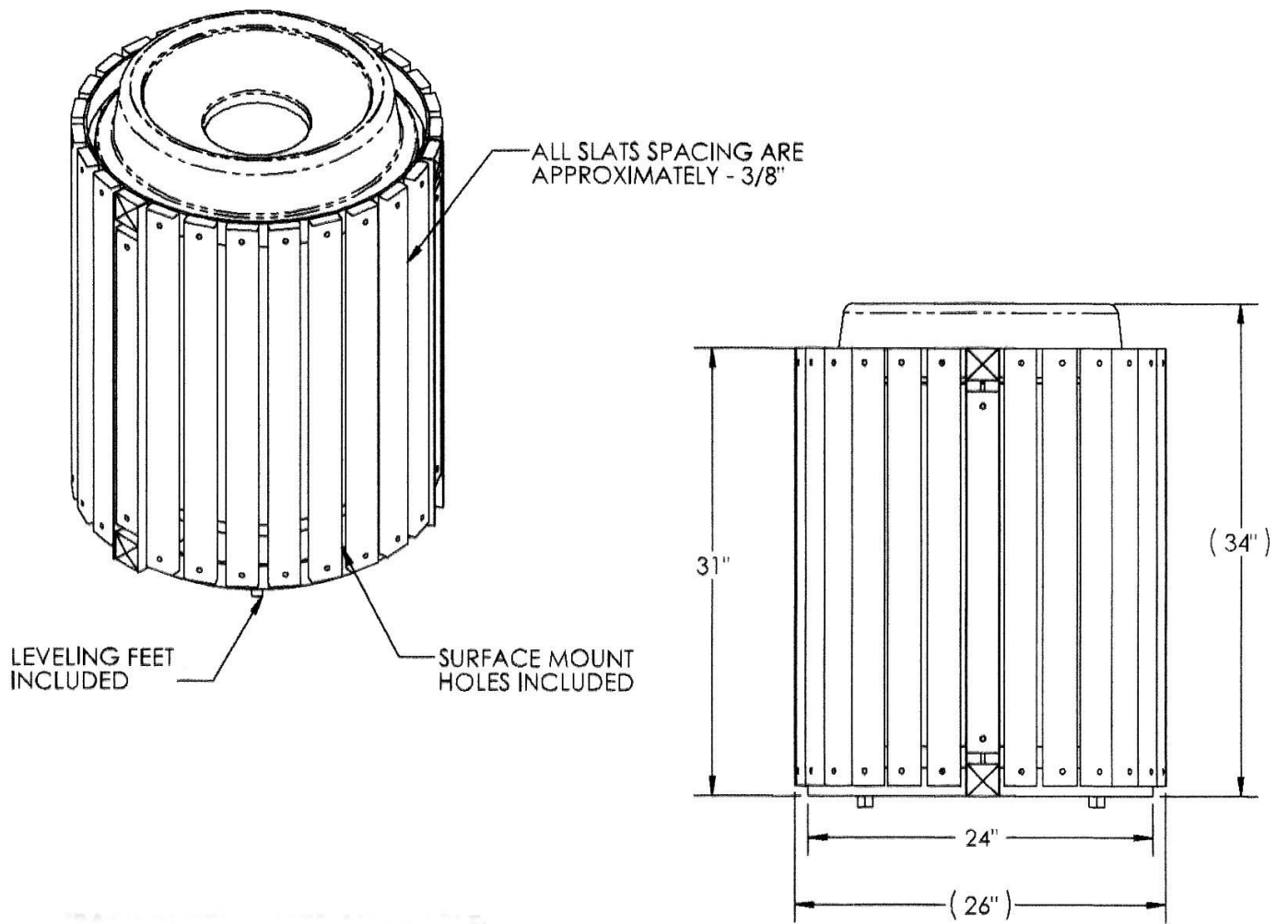
Recycled Plastic Slats

Cedar



Redwood





NATIONAL OUTDOOR FURNITURE, INC.
 1210 W. Main Street #296. Riverhead, NY 11901
 Toll-Free Phone: 1-888-663-4621
 Phone: 631-369-9099 Fax: 631-207-8312
 Email: nofinc@optonline.net
www.nationaloutdoorfurniture.com

NATIONAL OUTDOOR FURNITURE, INC.
 144 Murdock Road #325 Pomfret Center, CT 06259
 Toll-Free Phone: 1-888-516-8873
 Phone: 1-860-974-1551 Fax: 516-706-1901
 Email: nofinc@earthlink.net
www.nationaloutdoorfurniture.com