



4', 5' and 80" Woodland Bench – Portable/Surface Mount.

- 4' Dimensions: 32" Overall Ht x 24" Arm Ht x 15 3/4" Seat Ht x 26" Depth.
- Slat Options: Oak Slats, Recycled Plastic Slats, Aluminum Slats.
- Powder coated cast aluminum arms.
- 1/4"-20 steel zinc plated, yellow dipped carriage bolts and nuts.
- With or without surface mounting holes.
- 5' and 80" bench has three legs.
- 4' Bench has two legs.
- Made in the USA.
- Some assembly required.

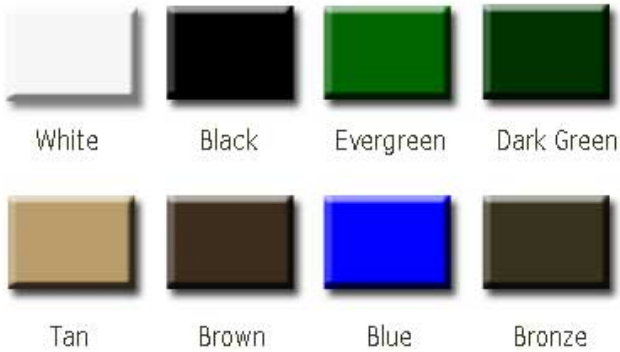
Model # Size / Slats

KR WBS 48-O	60 Lbs. 4 Ft.-Oak
KR WBS 48-A	60 Lbs. 4 Ft.-Aluminum
KR WBS 48-F	60 Lbs. 4 Ft.-Recycled Plastic
KR WBP 60-O	80 Lbs. 5 Ft.-Oak
KR WBP 60-A	80 Lbs. 5 Ft.-Aluminum
KR WBP 60-F	80 Lbs. 5 Ft.-Recycled Plastic
KR WBLF 80-O	90 Lbs. 80" Ft.-Oak
KR WBLF 80-A	90 Lbs. 80" -Aluminum
KR WBLF 80-F	90 Lbs. 80" -Recycled Plastic

Aluminum Slat Colors: Black, White, Brown, Tan, Evergreen, Dk. Green, Bronze, Blue.

Recycled Plastic Slat Color: Cedar/ Redwood.

Cast Aluminum Arm Finishes

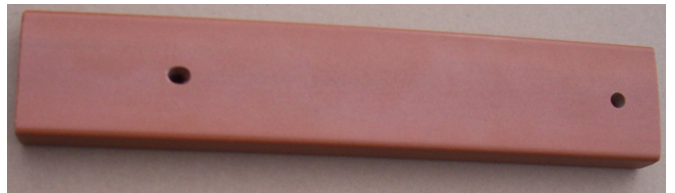


Recycled Plastic Slats

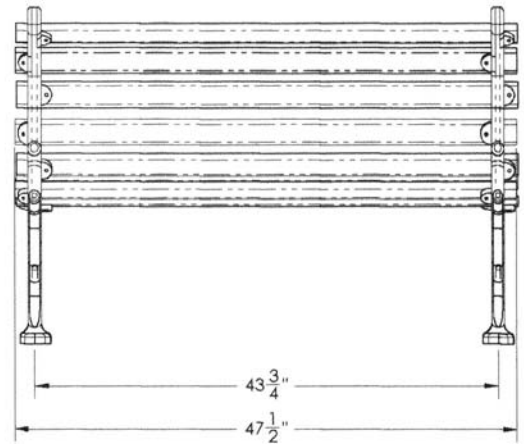
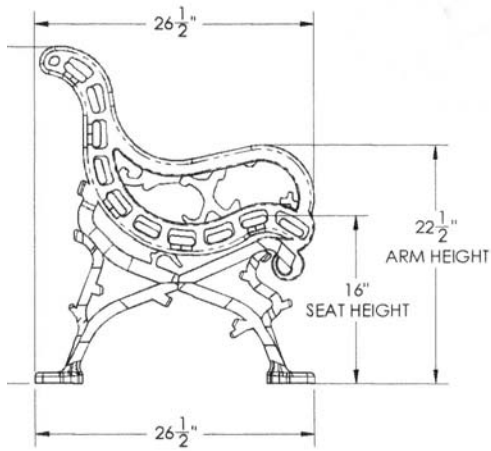
Cedar



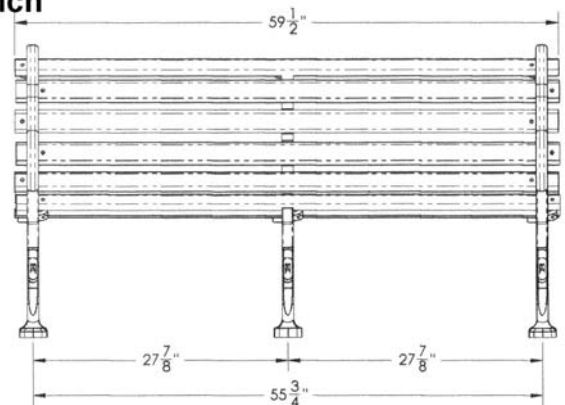
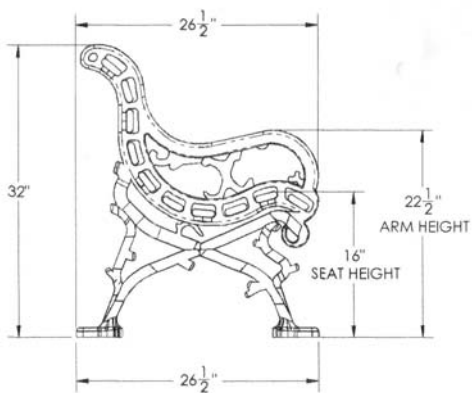
Redwood



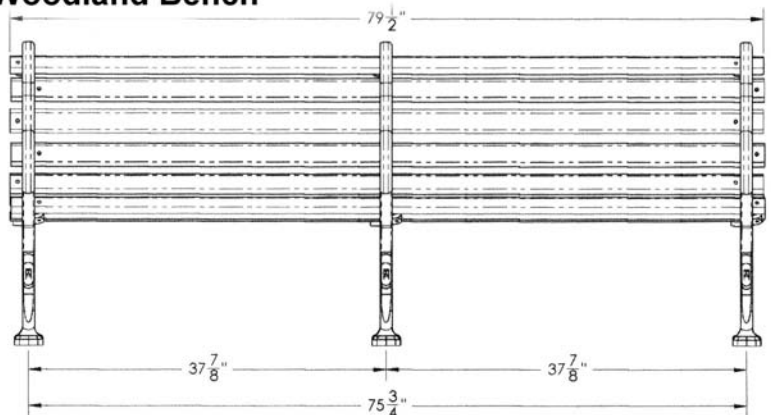
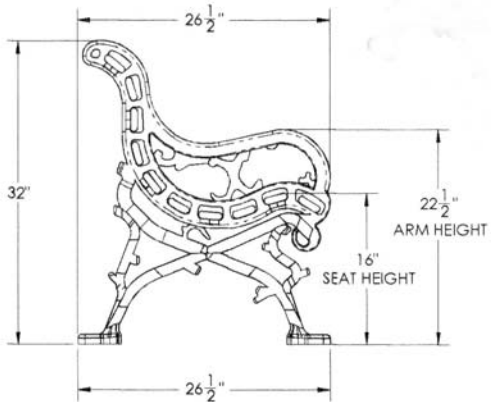
48" Woodland Bench



60" Woodland Bench



80" Woodland Bench



NATIONAL OUTDOOR FURNITURE, INC.
 1210 W. Main Street #296 Riverhead, NY 11901
 Toll-Free Phone: 1-888-663-4621
 Phone: 631-369-9099 Fax: 631-207-8312
 Email: nofinc@optonline.net
www.nationaloutdoorfurniture.com

NATIONAL OUTDOOR FURNITURE, INC.
 144 Murdock Road #325 Pomfret Center, CT 06259
 Toll-Free Phone: 1-888-516-8873
 Phone: 1-860-974-1551 Fax: 516-706-1901
 Email: nofinc@earthlink.net
www.nationaloutdoorfurniture.com