



4, 5' and 80" Victorian Bench – Portable/Surface Mount.

- 4' Dimensions: 31 1/2 Overall Ht. x 16 3/4" Seat Ht. x 24" Depth. 55 Lbs.
- Slat Options: Oak Slats, Recycled Plastic Slats, Aluminum Slats.
- Powder coated cast aluminum arms.
- 1/4"-20 steel zinc plated, yellow dipped carriage bolts and nuts.
- With or without surface mounting holes.
- 5' and 80' bench sold with three legs.
- 100% Recycled aluminum casting frame.
- Made in the USA.
- Some assembly required.

Model # Size / Slats

KR VBS 480-O	55 Lbs. 4 Ft.-Oak
KR VBS 48-A	55 lbs.4 Ft.-Aluminum
KR VBS 48-F	55 lbs.4 Ft.-Recycled Plastic
KR VBP 60-O	70 Lbs. 5 Ft.-Oak
KR VBP 60-A	70 Lbs. 5 Ft.-Aluminum
KR VBP 60-F	70 Lbs. 5 Ft.-Recycled Plastic
KR VBLF 80-O	80 Lbs. 80 Inch-Oak
KR VBLF 80-A	80 Lbs. 80 Inch-Aluminum
KR VBLF 80-F	80 Lbs. 80 Inch-Recycled Plastic

Aluminum Slat Colors: Black, White, Brown, Tan, Evergreen, Dk. Green, Bronze, Blue.
Recycled Plastic Slat Color: Cedar/Redwood..

Cast Aluminum Arm Finishes



Recycled Plastic

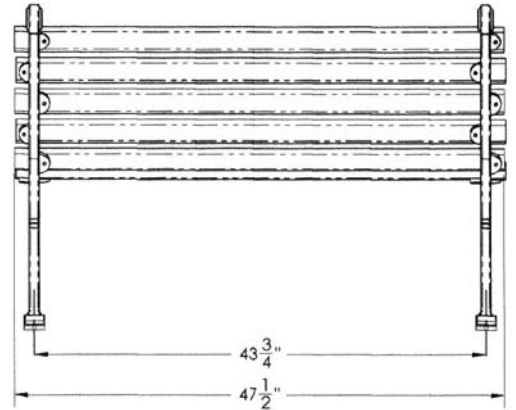
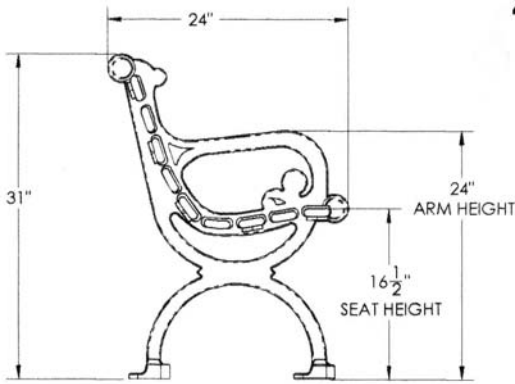
Cedar



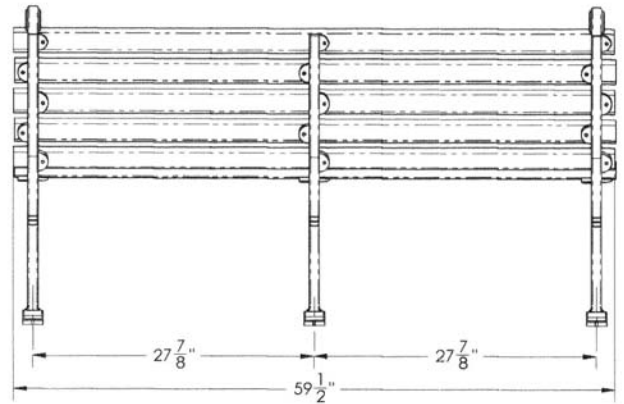
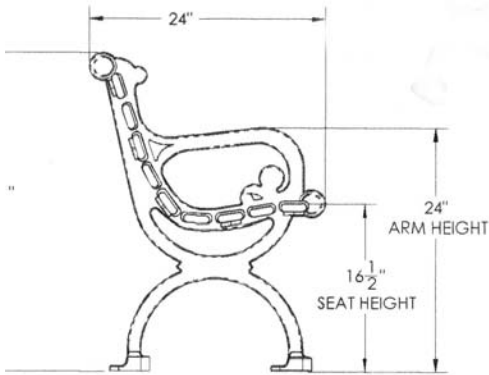
Redwood



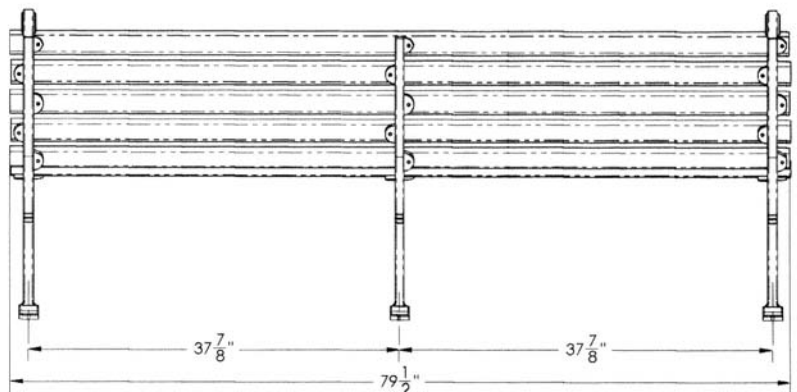
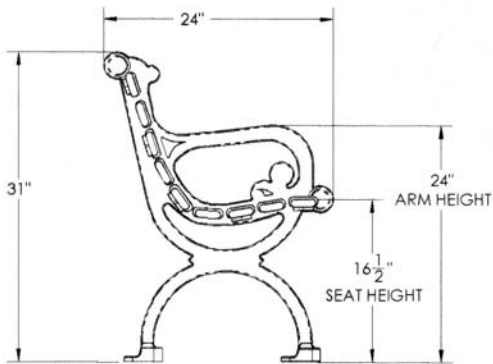
48" Victorian Bench



60" Victorian Bench



80" Victorian Bench



NATIONAL OUTDOOR FURNITURE, INC.
 1210 W. Main Street #296 Riverhead, NY 11901
 Toll-Free Phone: 1-888-663-4621
 Phone: 631-369-9099 Fax: 631-207-8312
 Email: nofinc@optonline.net
www.nationaloutdoorfurniture.com

NATIONAL OUTDOOR FURNITURE, INC.
 144 Murdock Road #325 Pomfret Center, CT 06259
 Toll-Free Phone: 1-888-516-8873
 Phone: 1-860-974-1551 Fax: 516-706-1901
 Email: nofinc@earthlink.net
www.nationaloutdoorfurniture.com