

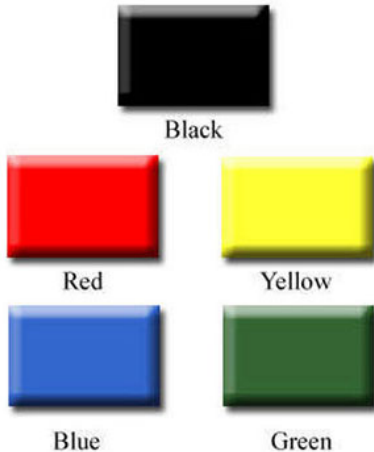


Cassadaga Multi Bike Rack with Thermoplastic Finish - Surface Mount.

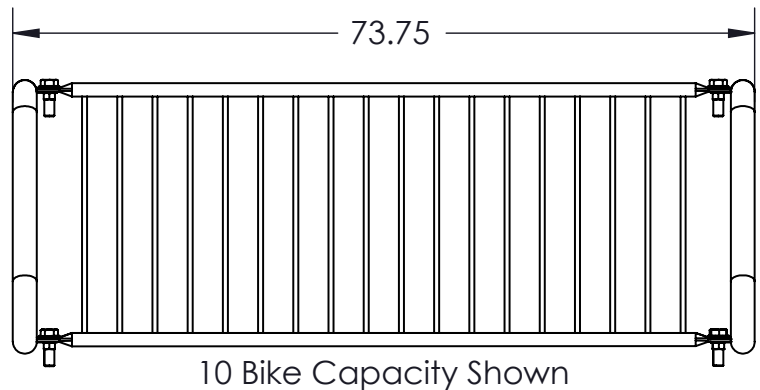
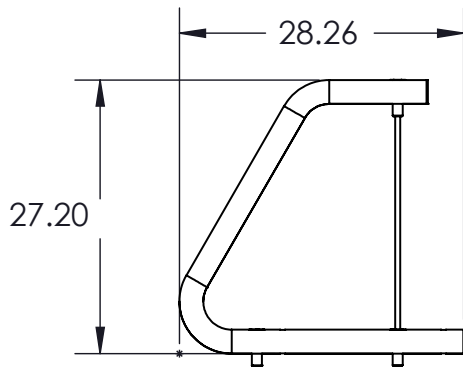
- 6 - 20 bike rack capacity.
- The frame ends are fabricated using 2 3/8" OD x 3/16" thick wall steel tube.
- All welded component fabrication.
- Maximum tire width acceptable is 3".
- The vertical stall bars are 5/8" OD solid steel rod.
- All welded component fabrication.
- Shown as (10) bike capacity. Available in 6, 10 and 20 bike capacity.

Item #: JTA 14670

Thermoplastic Finishes



Model Number	Description
JTA 14670-6BK	6 Bike Rack, 45.75" Length, 75 Lbs.
JTA 14670-10BK	10 Bike Rack, 73.75 Length, 100 Lbs.
JTA 14670-20BK	20 Bike Rack, 145.125 Length, 170 Lbs.



NATIONAL OUTDOOR FURNITURE, INC.
 1210 W. Main Street #296 Riverhead, NY 11901
 Toll-Free Phone: 1-888-663-4621
 Phone: 631-369-9099 Fax: 631-207-8312
 Email: nofinc@optonline.net
www.nationaloutdoorfurniture.com

NATIONAL OUTDOOR FURNITURE, INC.
 144 Murdock Road #325 Pomfret Center, CT 06259
 Toll-Free Phone: 1-888-516-8873
 Phone: 1-860-974-1551 Fax: 516-706-1901
 Email: nofinc@earthlink.net
www.nationaloutdoorfurniture.com