



Oasis Resin Stack Table w/Cup Holders

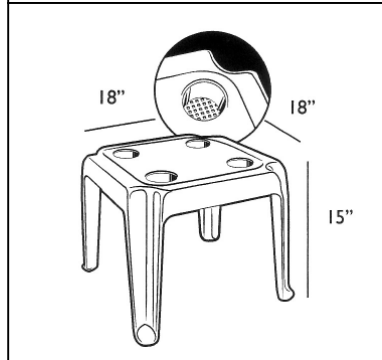
- *Master pack 14.*
- 4.79 Lbs.
- 18" x 18" Square.
- One piece construction.
- 100% prime resin.
- Stacks for storage.
- UV inhibitors.
- *\$50.00 charge for orders under \$500.00.*
- *\$50.00 charge for quantities other than the master pack.*

Item #: GR OST14

Resin Colors



White



NATIONAL OUTDOOR FURNITURE, INC.

1210 W. Main Street #296. Riverhead, NY 11901
Toll-Free Phone: 1-888-663-4621
Phone: 631-369-9099 Fax: 631-207-8312
Email: nofinc@optonline.net
www.nationaloutdoorfurniture.com

NATIONAL OUTDOOR FURNITURE, INC.

144 Murdock Road #325 Pomfret Center, CT 06259
Toll-Free Phone: 1-888-516-8873
Phone: 1-860-974-1551 Fax: 516-706-1901
Email: nofinc@earthlink.net
www.nationaloutdoorfurniture.com