



48" Square ADA Picnic Table with (3) Seats - Portable.

- Overall Dimensions: 74 1/2" x 74 1/2" x 29 15/16" H.
- Wood style or aluminum style 2" x 10" planks.
- 1 5/8" O.D. frame. Bolt together walk thru design.
- Zinc coated, galvanized, powder coated finish or galvanized frame.
- Available in Untreated Pine, Treated Pine, Redwood Stained Pine and Aluminum Planks.
- Predrilled holes for surface mounting.
- Available as an ADA table with 2 seats.
- Some assembly required.

Item #: US 358H

FRAME STYLES

WOOD

- 2"x10" and 2"x4" planks
- Rounded edges

(U) Untreated –

- Untreated #1 southern yellow pine

(PT) Pressure treated –

- #1 southern yellow pine
- Environmentally friendly (ACO)
- Kiln dried before and after treatment

(T) Redwood –

- Untreated #1 southern yellow pine
- Sealed in redwood stain with wood preservative

ALUMINUM

(A) Anodized – 2"x10" planks are used for table tops, seats, and backs on all Ultra Play products; 6063-T6 extruded aluminum alloy

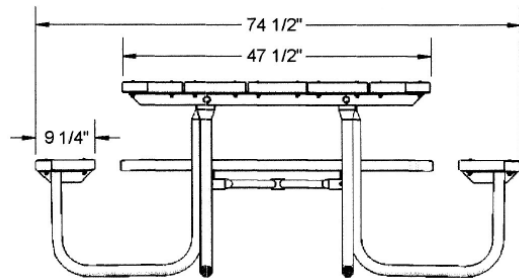
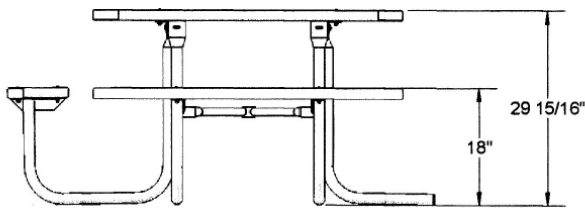
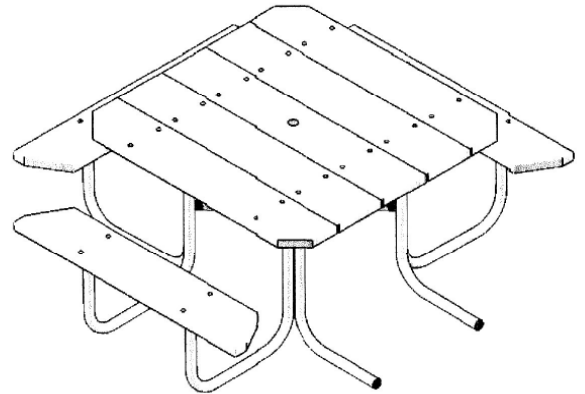
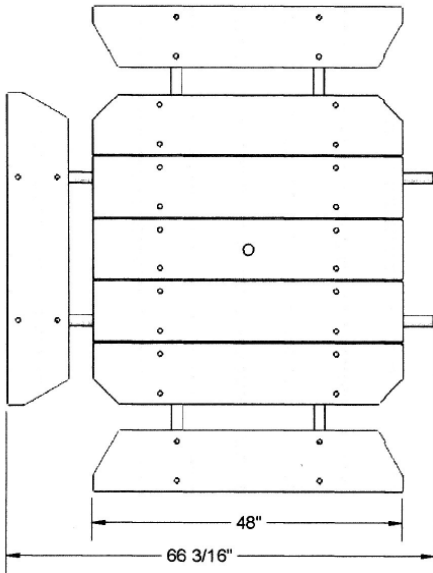
Mill – 2"x10" planks are used for the walkways on all Ultra Play bleachers; 6063-T6 extruded aluminum alloy

Model Number	Description
US 358H-U48	48' ADA Table, 184 Lbs., (3) Attached Seats, Untreated Pine, Portable.
US 358H-PT48	48' ADA Table, 184 Lbs., (3) Attached Seats, Treated Pine, Portable.
US 358H-T48	48' ADA Table, 184 Lbs., (3) Attached Seats, Redwood Stain, Portable.

Powder Coat Colors



48" ADA Square Table, (3) Seats



NATIONAL OUTDOOR FURNITURE, INC.
 1210 W. Main Street #296 Riverhead, NY 11901
 Toll-Free Phone: 1-888-663-4621
 Phone: 631-369-9099 Fax: 631-207-8312
 Email: nofinc@optonline.net
www.nationaloutdoorfurniture.com

NATIONAL OUTDOOR FURNITURE, INC.
 144 Murdock Road #325 Pomfret Center, CT 06259
 Toll-Free Phone: 1-888-516-8873
 Phone: 1-860-974-1551 Fax: 516-706-1901
 Email: nofinc@earthlink.net
www.nationaloutdoorfurniture.com