

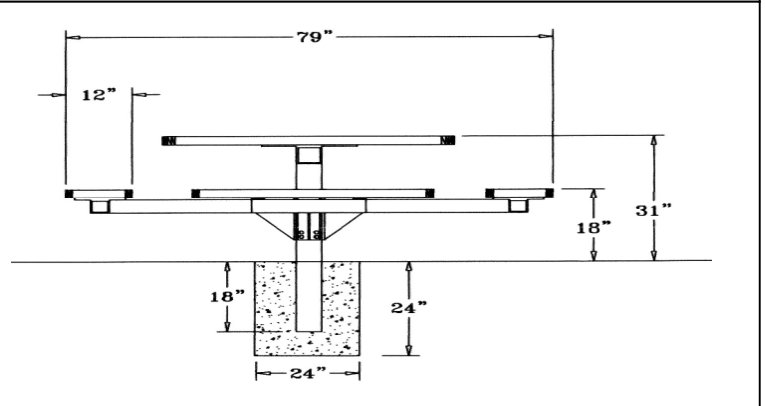


**Classic Style  
Inground Mount ADA**

**46" x 57" Classic Pedestal Table with (3) Attached Seats - ADA/Inground Mount.**

- 378 lbs.
- Overall Dim: 79" x 73 1/2" x 31"Ht.
- Made with polyethylene coated ribbed steel seats.
- Rolled edge with 3/4" #9 pvc coated expanded metal top.
- 4" square zinc coated, powder coated galvanized frame.
- With umbrella hole.
- Some assembly required.

**Item #: WC CSQ46ADA-3IG**



**Textured Polyethylene Colors**



**Powder Coat Gloss Colors**



**NATIONAL OUTDOOR FURNITURE, INC.**  
 1210 W. Main Street #296 Riverhead, NY 11901  
 Toll-Free Phone: 1-888-663-4621  
 Phone: 631-369-9099 Fax: 631-207-8312  
 Email: [nofinc@optonline.net](mailto:nofinc@optonline.net)  
[www.nationaloutdoorfurniture.com](http://www.nationaloutdoorfurniture.com)

**NATIONAL OUTDOOR FURNITURE, INC.**  
 144 Murdock Road #325 Pomfret Center, CT 06259  
 Toll-Free Phone: 1-888-516-8873  
 Phone: 1-860-974-1551 Fax: 516-706-1901  
 Email: [nofinc@earthlink.net](mailto:nofinc@earthlink.net)  
[www.nationaloutdoorfurniture.com](http://www.nationaloutdoorfurniture.com)