



Sanibal Stacking Armchair.

- *Master pack 4 and 12.*
- Made of 100% resin.
- 10.25 Lbs. each.
- 24"W x 24"D x 34"H.
- ASTM F 1561 Class B commercial rating.
- UV inhibitors.
- Rated to 300 Lbs. For safe use in commercial environments.
- \$50.00 charge for orders under \$500.00.

Item #: GR SSA

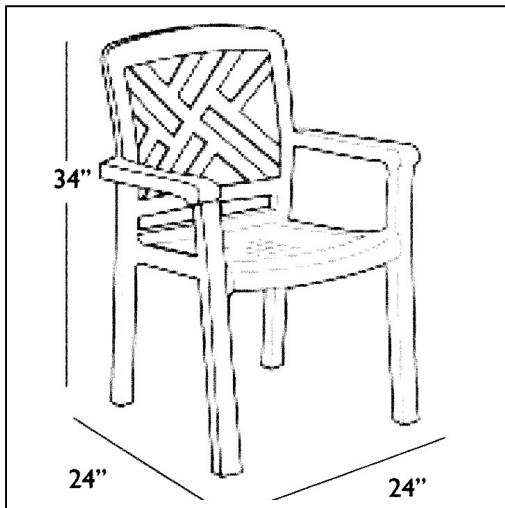
Resin Chair Colors



Teakwood



Charcoal



NATIONAL OUTDOOR FURNITURE, INC.

1210 W. Main Street #296. Riverhead, NY 11901
Toll-Free Phone: 1-888-663-4621
Phone: 631-369-9099 Fax: 631-207-8312
Email: nofinc@optonline.net
www.nationaloutdoorfurniture.com

NATIONAL OUTDOOR FURNITURE, INC.

144 Murdock Road #325 Pomfret Center, CT 06259
Toll-Free Phone: 1-888-516-8873
Phone: 1-860-974-1551 Fax: 516-706-1901
Email: nofinc@earthlink.net
www.nationaloutdoorfurniture.com