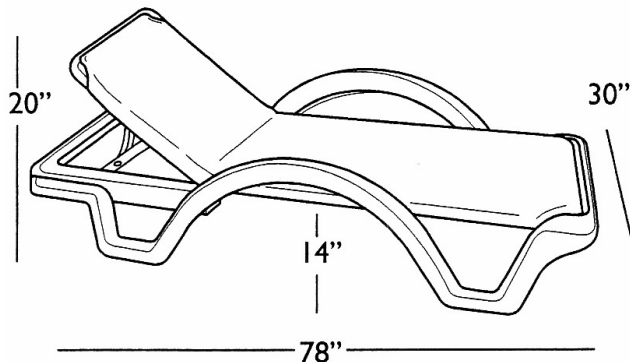




Catalina Adjustable Resin/Sling Stacking Chaise Lounge Pack of 2 and 14.

- *Masterpack of 2 and 14.*
- 35 Lbs. each.
- 78"L x 30"W x 20"H – seat height 14".
- 100% synthetic resin frame.
- Heavy duty vinyl coated material for seat and back.
- 3 position adjustable back.
- Rated to 300 lbs. For safe use in commercial environments.
- Commercial grade nylon glides to prevent scratching soft surfaces.
- Stacks for storage.
- UV inhibitors.
- Recessed wheels.
- \$50.00 charge for orders under \$500.00.
- **Item #** GR CACH



NATIONAL OUTDOOR FURNITURE, INC.

1210 W. Main Street #296. Riverhead, NY 11901
Toll-Free Phone: 1-888-663-4621
Phone: 631-369-9099 Fax: 631-207-8312
Email: nofinc@optonline.net
www.nationaloutdoorfurniture.com

NATIONAL OUTDOOR FURNITURE, INC.

144 Murdock Road #325 Pomfret Center, CT 06259
Toll-Free Phone: 1-888-516-8873
Phone: 1-860-974-1551 Fax: 516-706-1901
Email: nofinc@earthlink.net
www.nationaloutdoorfurniture.com