



Resin Colors

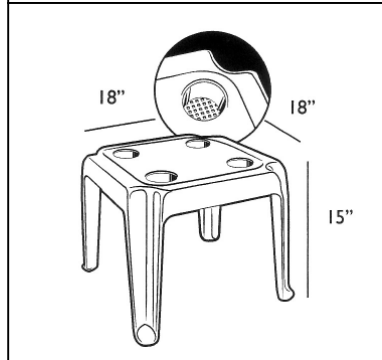


White

Oasis Resin Stack Table with Cup Holders

- *Master pack 14.*
- 4.79 Lbs.
- 18" x 18" Square.
- One piece construction.
- 100% prime resin.
- Stacks for storage.
- UV inhibitors.
- \$50.00 charge for orders under \$500.00.
- \$50.00 charge for quantities other than the master pack.

Item #: GR OST14



NATIONAL OUTDOOR FURNITURE, INC.
1210 W. Main Street #296. Riverhead, NY 11901
Toll-Free Phone: 1-888-663-4621
Phone: 631-369-9099 Fax: 631-207-8312
Email: nofinc@optonline.net
www.nationaloutdoorfurniture.com

NATIONAL OUTDOOR FURNITURE, INC.
144 Murdock Road #325 Pomfret Center, CT 06259
Toll-Free Phone: 1-888-516-8873
Phone: 1-860-974-1551 Fax: 516-706-1901
Email: nofinc@earthlink.net
www.nationaloutdoorfurniture.com