

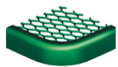


**46" Round Ultra Bar Table with (4) Attached Seats and Backs - Portable.**

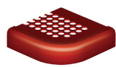
- 280 and 289 Lbs.
- Overall Dimensions: 94"L x 94"W x 48 3/4"H. 41 1/2" Table top height.
- Available in surface or inground mount.
- Available in diamond and perforated seats and tops.
- 2 3/8" O.D. all MIG welded frame.
- Thermoplastic coated seats and tops with powder coated frame.
- All stainless steel hardware.
- With 1 5/8" umbrella hole.
- Cover plates optional.
- Some assembly required.

**Item #: US 362**

**Table Styles**



Diamond



Perforated

**Thermoplastic Colors**



Ultra Blue



Burgundy



Green



Beige



Blue



Red



Brown



Black

**Standard Powder Coat Colors**



BURGUNDY



RED



ORANGE



YELLOW



SPRING GREEN



GREEN



NEW ROYAL PURPLE



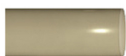
ULTRA BLUE



BLUE



SKY BLUE



BEIGE



BROWN



BLACK



MATTE BLACK



DARK GREY



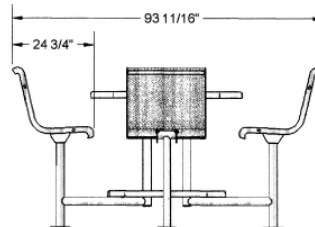
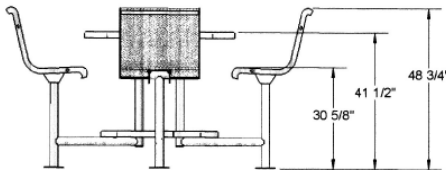
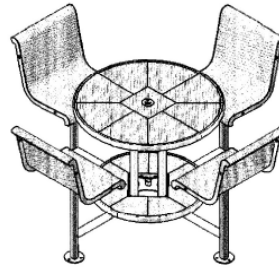
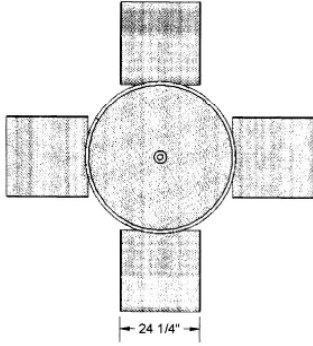
NEW CHAMPAGNE



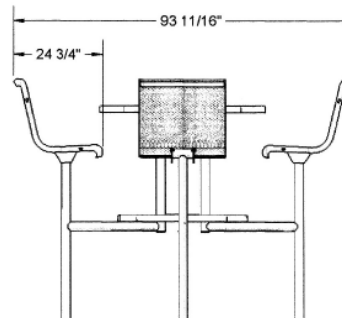
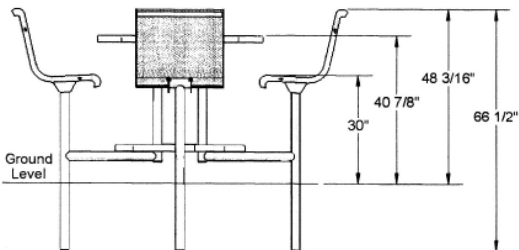
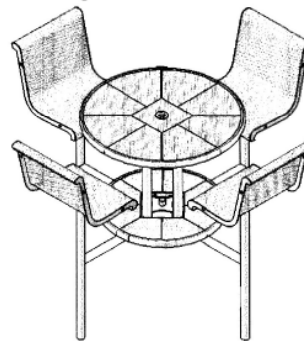
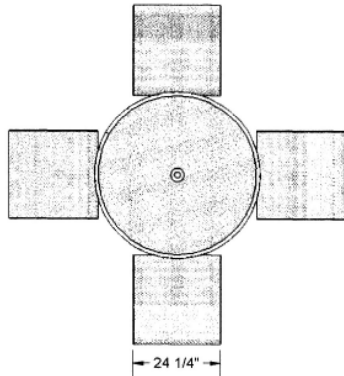
WHITE

Model Number	Description
US 362DSM-RDV	46" Round Table, Diamond Style, Surface Mount.
US 362DS-RDV	46" Round Table, Diamond Style, Inground Mount.
US 362PSM-RDP	46" Round Table, Perforated Style, Surface Mount.
US 362PS-RDP	46" Round Table, Perforated Style, Inground Mount.

**46" Round Bar Table with (4) Attached Seats & Backs - Surface Mount.**



**46" Round Bar Table with (4) Attached Seats & Backs - Inground Mount.**



**NATIONAL OUTDOOR FURNITURE, INC.**  
 1210 W. Main Street #296 Riverhead, NY 11901  
 Toll-Free Phone: 1-888-663-4621  
 Phone: 631-369-9099 Fax: 631-207-8312  
 Email: [nofinc@optonline.net](mailto:nofinc@optonline.net)  
[www.nationaloutdoorfurniture.com](http://www.nationaloutdoorfurniture.com)

**NATIONAL OUTDOOR FURNITURE, INC.**  
 144 Murdock Road #325 Pomfret Center, CT 06259  
 Toll-Free Phone: 1-888-516-8873  
 Phone: 1-860-974-1551 Fax: 516-706-1901  
 Email: [nofinc@earthlink.net](mailto:nofinc@earthlink.net)  
[www.nationaloutdoorfurniture.com](http://www.nationaloutdoorfurniture.com)