

# N.O.F. / Inc.

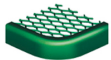
## 46" Round Preschool Picnic Table - Portable

- Table height is 20". Seat height is 12".
- Overall Dimensions: 83" x 83" Square. 170 Lbs.
- Tops and seats are 11 gauge die formed angle frame 1" x 1 7/8", polyethylene coated.
- 1-5/8" O.D. x 14 gauge pre-galvanized structural steel tubing. Electrically MIG welded.
- Stainless steel and zinc coated hardware fasteners.
- Electrostatic powder coated application oven cured frame.
- Available in expanded diamond and perforated style seats and top. Customs decals available.
- Electrically MIG welded.
- Some assembly required.

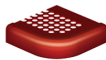
**Item #:** US 358PS-RD



### Table Styles



Diamond



Perforated

### Thermoplastic Colors



Ultra Blue



Burgundy



Green



Beige



Blue



Red



Brown



Black

### Standard Powder Coat Colors



BURGUNDY



RED



ORANGE



YELLOW



SPRING GREEN



GREEN



NEW ROYAL PURPLE



ULTRA BLUE



BLUE



SKY BLUE



BEIGE



BROWN



BLACK



MATTE BLACK



DARK GREY



NEW CHAMPAGNE

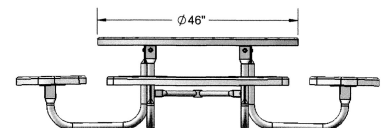
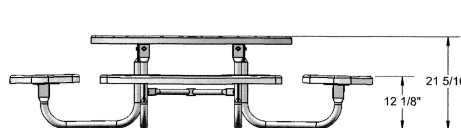
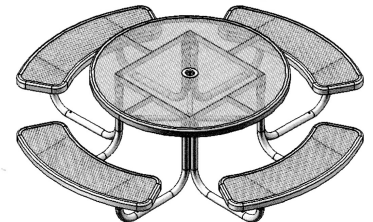
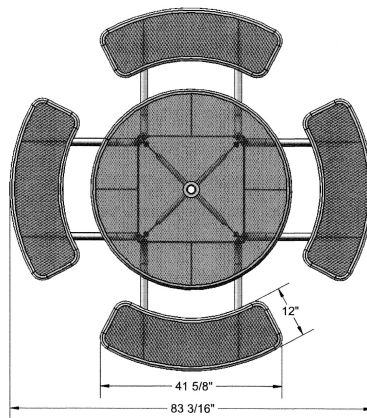


WHITE

US 358PS-RDV 46" Round Table Diamond Style, 170 Lbs.

US 358PS-RDP 46" Round Table Perforated Style, 187 Lbs.

US 358PS-RDSD 46" Round Table Solid Top, 197 Lbs.



### NATIONAL OUTDOOR FURNITURE, INC.

1210 W. Main Street #296. Riverhead, NY 11901  
 Toll-Free Phone: 1-888-663-4621  
 Phone: 631-369-9099 Fax: 631-207-8312  
 Email: [nofinc@optonline.net](mailto:nofinc@optonline.net)  
[www.nationaloutdoorfurniture.com](http://www.nationaloutdoorfurniture.com)

### NATIONAL OUTDOOR FURNITURE, INC.

144 Murdock Road #325 Pomfret Center, CT 06259  
 Toll-Free Phone: 1-888-516-8873  
 Phone: 1-860-974-1551 Fax: 516-706-1901  
 Email: [nofinc@earthlink.net](mailto:nofinc@earthlink.net)  
[www.nationaloutdoorfurniture.com](http://www.nationaloutdoorfurniture.com)