



6' Wood Park Backless Bench - Portable.

- Available in 6' and 8' lengths
- Overall Dimensions: 17 7/16"H x 9 3/4" seat depth.
- All MIG welded frame with zinc plated hardware.
- Frame is made of 2 3/8" O.D. pipe. Brace is 1" O.D. pipe.
- Zinc coated, powder coated finish or galvanized legs.
- Available in portable, surface and inground mount.
- Available in Untreated Pine, Treated Pine, Redwood Stained Pine and Aluminum Planks.
- Some assembly required.

Item #: US 942P



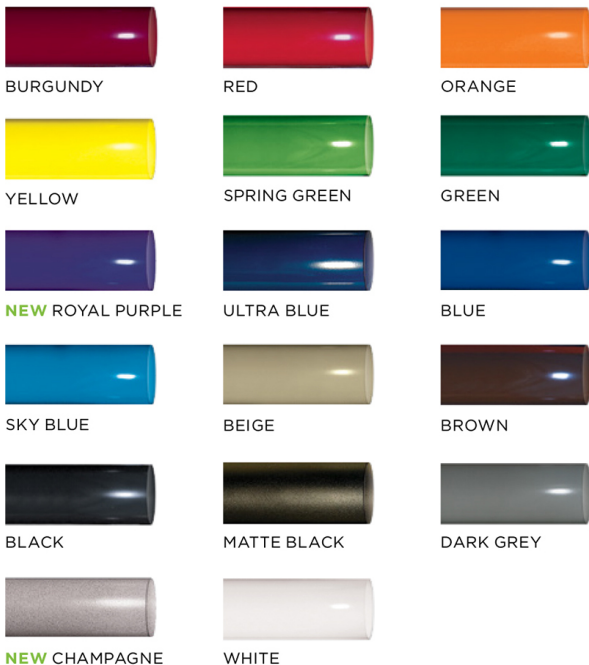
Wood Planks

2" x 10" and 2" x 4" sizes
Rounded Edges
#1 Southern Yellow Pine

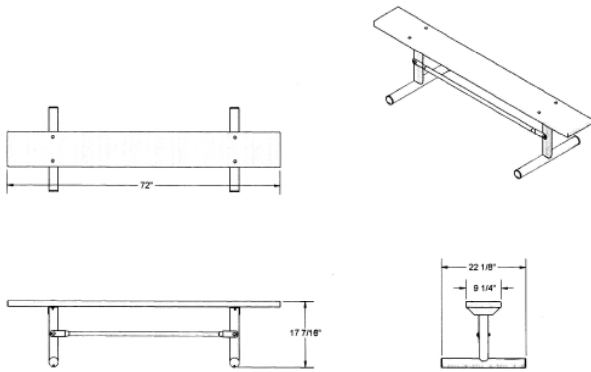
(U) Untreated
(PT) Pressure Treated
Environmentally Friendly ACQ
Kiln Dried Before & After Treatment
(T) Treated Stain
Sealed in Redwood Stain With
Wood Preservative

Model Number	Description
US 942P-U6	6' Park Bench, 35 Lbs., Untreated Pine, Portable.
US 942P-PT6	6' Park Bench, 35 Lbs., Treated Pine, Portable.
US 942P-T6	6' Park Bench, 35 Lbs., Redwood Stained Pine, Portable.
US 942P-U6	6' Park Bench, 39 Lbs., Aluminum Planks, Portable.
US 942P-U8	8' Park Bench, 41 Lbs., Untreated Pine, Surface, Portable.
US 942P-PT8	8' Park Bench, 41 Lbs., Treated Pine, Portable.
US 942P-T8	8' Park Bench, 41 Lbs., Redwood Stained Pine, Portable.
US 942P-U8	8' Park Bench, 44 Lbs., Aluminum Planks, Portable.

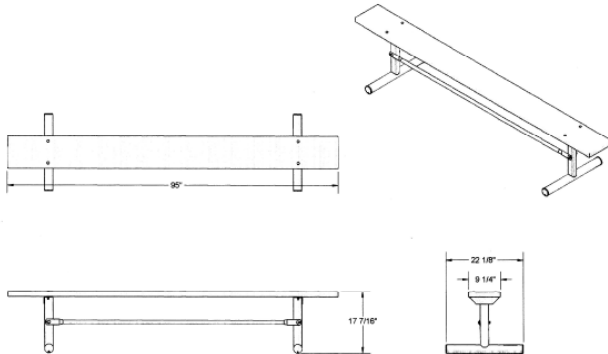
Standard Powder Coat Colors



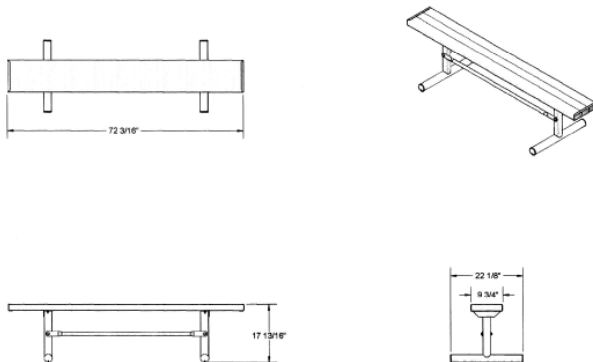
6' Park Bench, No Back - 2" x 10" Wood Plank



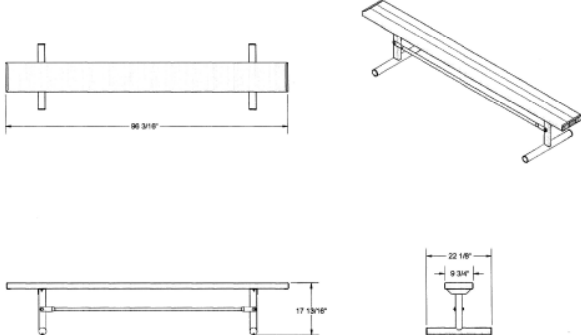
8' Park Bench, no Back - 2" x 10" Wood Plank



6' Park Bench, No Back - 2" x 10" Aluminum Plank



8' Park Bench, No Back - 2" x 10" Aluminum Plank



NATIONAL OUTDOOR FURNITURE, INC.
1210 W. Main Street #296 Riverhead, NY 11901
Toll-Free Phone: 1-888-663-4621
Phone: 631-369-9099 Fax: 631-207-8312
Email: nofinc@optonline.net
www.nationaloutdoorfurniture.com

NATIONAL OUTDOOR FURNITURE, INC.
144 Murdock Road #325 Pomfret Center, CT 06259
Toll-Free Phone: 1-888-516-8873
Phone: 1-860-974-1551 Fax: 516-706-1901
Email: nofinc@earthlink.net
www.nationaloutdoorfurniture.com