

N.O.F. / Inc.



6' Bollard Style Bench with Back - Surface Mount.

- Available in 6' and 8' lengths
- Overall Dimensions: 15 1/2' D x 16 5/8" H.
- 2" x 4" Wood style planks.
- 3" x 3" Square x 11 gauge pre-galvanized structural steel tubing.
- All MIG welded frame with zinc plated hardware.
- Available in surface and inground mount.
- One year warranty.
- Some assembly required.

Item #: US 952SM



Wood Planks

2" x 10" and 2" x 4" sizes
Rounded Edges
#1 Southern Yellow Pine

(U) Untreated
(PT) Pressure Treated
Environmentally Friendly ACQ
Kiln Dried Before & After Treatment
(T) Treated Stain
Sealed in Redwood Stain With
Wood Preservative

Model Number	Description
US 952SM-U6	6' Park Bench, 76 Lbs., 2" x 4" Planks, Untreated Pine.
US 952SM-PT6	6' Park Bench, 76 Lbs., 2" x 4" Planks, Treated Pine.
US 952SM-T6	6' Park Bench, 76 Lbs., 2" x 4" Planks, Redwood Stained.
US 952SM-U8	8' Park Bench, 86 Lbs., 2" x 4" Planks, Untreated Pine.
US 952SM-PT8	8' Park Bench, 86 Lbs., 2" x 4" Planks, Treated Pine. .
US 952SM-T8	8' Park Bench, 86 Lbs., 2" x 4" Planks, Redwood Stained Pine.

Standard Powder Coat Colors



BURGUNDY



RED



ORANGE



YELLOW



SPRING GREEN



GREEN



NEW ROYAL PURPLE



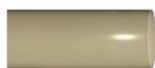
ULTRA BLUE



BLUE



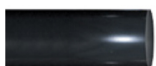
SKY BLUE



BEIGE



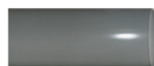
BROWN



BLACK



MATTE BLACK



DARK GREY

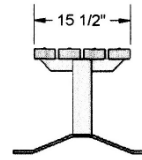
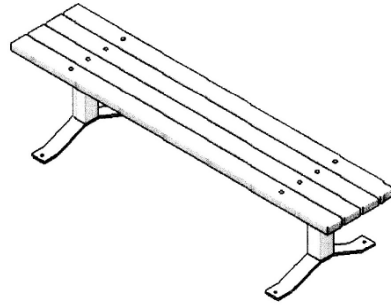
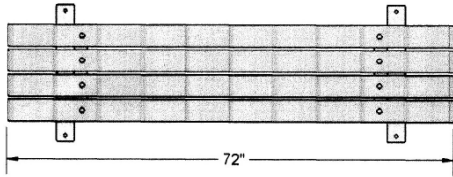


NEW CHAMPAGNE

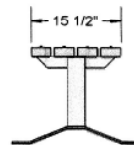
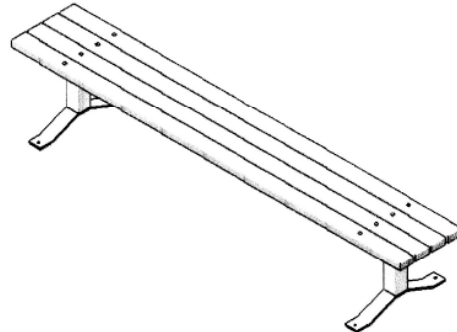
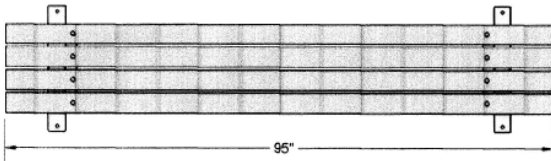


WHITE

6' Bollard Style Bench, No Back



8' Bollard Style Bench, No Back



NATIONAL OUTDOOR FURNITURE, INC.
1210 W. Main Street #296 Riverhead, NY 11901
Toll-Free Phone: 1-888-663-4621
Phone: 631-369-9099 Fax: 631-207-8312
Email: nofinc@optonline.net
www.nationaloutdoorfurniture.com

NATIONAL OUTDOOR FURNITURE, INC.
144 Murdock Road #325 Pomfret Center, CT 06259
Toll-Free Phone: 1-888-516-8873
Phone: 1-860-974-1551 Fax: 516-706-1901
Email: nofinc@earthlink.net
www.nationaloutdoorfurniture.com