

# N.O.F. / Inc.



## 6' Park Bench with Back - Portable.

- Available in 6' and 8' lengths
- Overall Dimensions: 35 1/4" H x 22 7/16" D. 18" Seat height.
- 2" x 4" Aluminum or wood style planks.
- 2" x 10" Aluminum style planks.
- All MIG welded frame with zinc plated hardware.
- Frame is 2 3/8" O.D. pipe with powder coated finish or galvanized.
- Available in portable, surface and inground mount.
- Available in Untreated Pine, Treated Pine, Redwood Stained Pine and Aluminum Planks.
- Some assembly required.

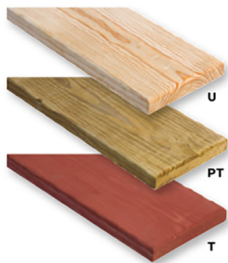
**Item #:** US 940P

Model Number	Description
US 940P-U16	6' Park Bench, 72 Lbs., 2" x 10" Planks, Untreated Pine.
US 940P-PT16	6' Park Bench, 72 Lbs., 2" x 10" Planks, Treated Pine.
US 940P-T16	6' Park Bench, 72 Lbs., 2" x 10" Planks, Redwood Stained Pine.
US 940P-A16	6' Park Bench, 58 Lbs., 2" x 10" Planks, Aluminum. .
US 940P-U18	8' Park Bench, 84 Lbs., 2" x 10" Planks, Untreated Pine.
US 940P-PT18	8' Park Bench, 84 Lbs., 2" x 10" Planks, Treated Pine.
US 940P-T18	8' Park Bench, 84 Lbs., 2" x 10" Planks, Redwood Stained Pine.
US 940P-A18	8' Park Bench, 572Lbs., 2" x 10" Planks, Aluminum. .
US 940P-U6	6' Park Bench, 82 Lbs., 2" x 4" Planks, Untreated Pine.
US 940P-PT6	6' Park Bench, 82 Lbs., 2" x 4" Planks, Treated Pine.
US 940P-T6	6' Park Bench, 82 Lbs., 2" x 4" Planks, Redwood Stained Pine.
US 940P-U8	8' Park Bench, 97 Lbs., 2" x 4" Planks, Untreated Pine.
US 940P-PT8	8' Park Bench, 97 Lbs., 2" x 4" Planks, Treated Pine.
US 940P-T8	8' Park Bench, 97 Lbs., 2" x 4" Planks, Redwood Stained Pine.

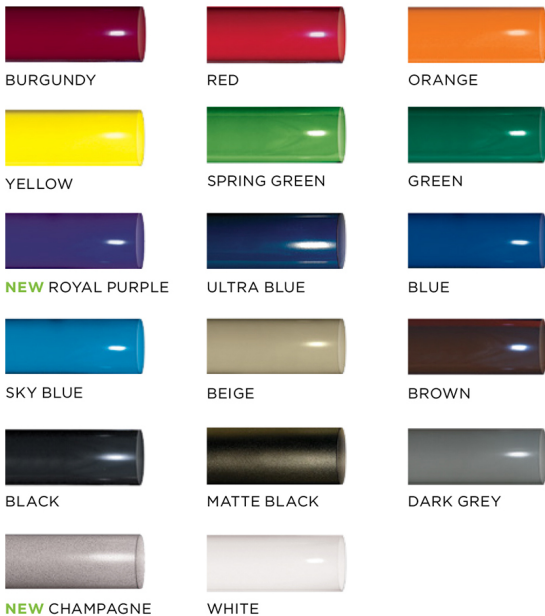
## Wood Planks

2" x 10" and 2" x 4" sizes  
Rounded Edges  
#1 Southern Yellow Pine

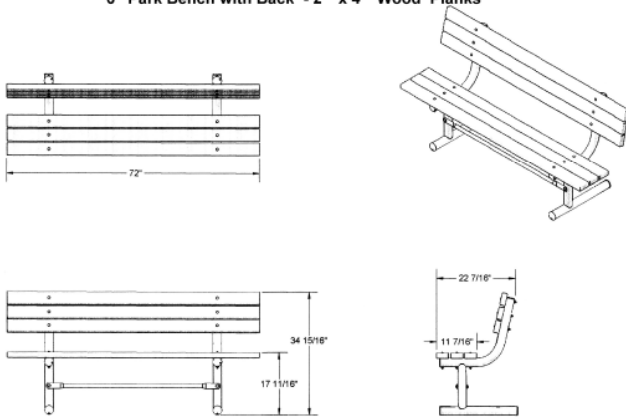
(U) Untreated  
(PT) Pressure Treated  
Environmentally Friendly ACQ  
Kiln Dried Before & After Treatment  
(T) Treated Stain  
Sealed in Redwood Stain With  
Wood Preservative



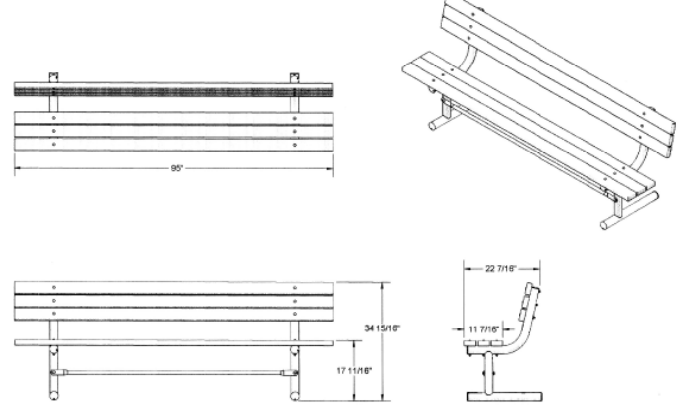
## Standard Powder Coat Colors



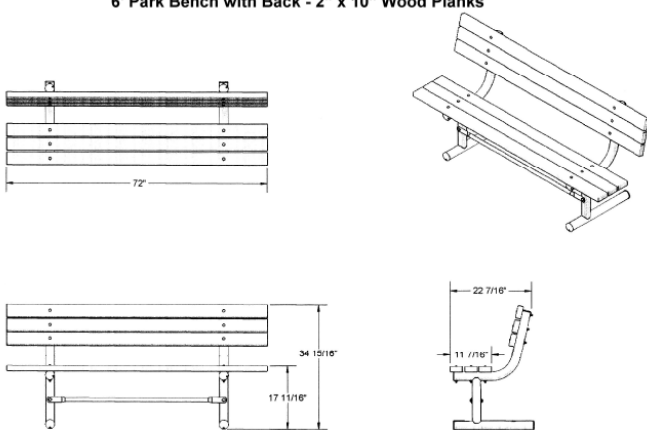
6' Park Bench with Back - 2" x 4" Wood Planks



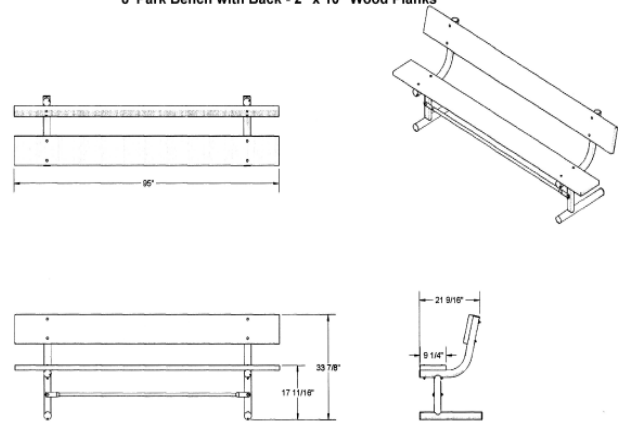
8' Park Bench with Back - 2" x 4" Wood Planks



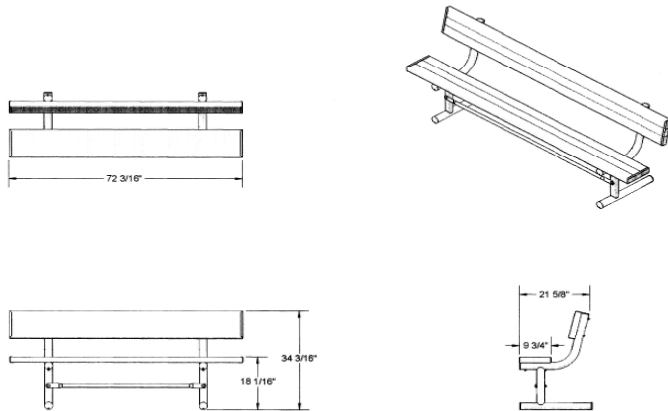
6' Park Bench with Back - 2" x 10" Wood Planks



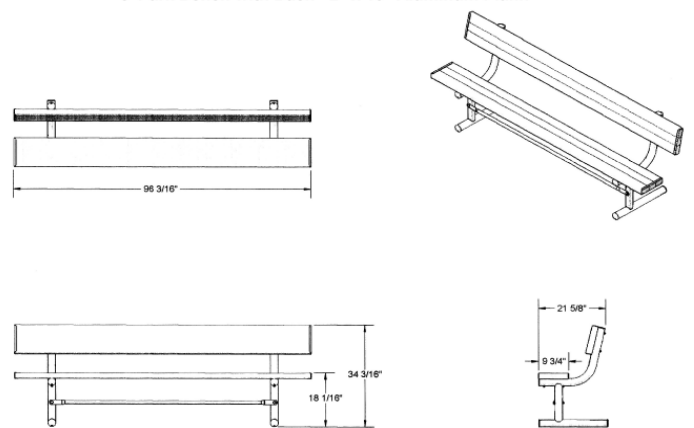
8' Park Bench with Back - 2" x 10" Wood Planks



6' Park Bench with Back - 2" x 10" Aluminum Plank



8' Park Bench with Back - 2" x 10" Aluminum Plank



**NATIONAL OUTDOOR FURNITURE, INC.**  
 1210 W. Main Street #296 Riverhead, NY 11901  
 Toll-Free Phone: 1-888-663-4621  
 Phone: 631-369-9099 Fax: 631-207-8312  
 Email: [nofinc@optonline.net](mailto:nofinc@optonline.net)  
[www.nationaloutdoorfurniture.com](http://www.nationaloutdoorfurniture.com)

**NATIONAL OUTDOOR FURNITURE, INC.**  
 144 Murdock Road #325 Pomfret Center, CT 06259  
 Toll-Free Phone: 1-888-516-8873  
 Phone: 1-860-974-1551 Fax: 516-706-1901  
 Email: [nofinc@earthlink.net](mailto:nofinc@earthlink.net)  
[www.nationaloutdoorfurniture.com](http://www.nationaloutdoorfurniture.com)