

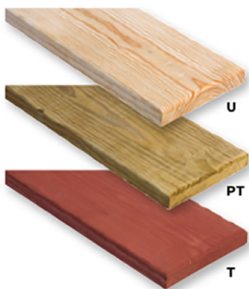
# N.O.F. / Inc.



## 6' Contour Park Bench with Back, Double Post - Surface Mount.

- Available in 6' and 8' lengths
- Overall Dimensions: 33 13/16" H x 29 5/8" D. 18 13/16" Seat height.
- 2" x 4" Wood style planks.
- All MIG welded frame with zinc plated hardware.
- Frame is 2 3/8" O.D. pipe with powder coated finish or galvanized.
- Available in portable, surface and inground mount.
- One year warranty.
- Some assembly required.

**Item #:** US 965SM



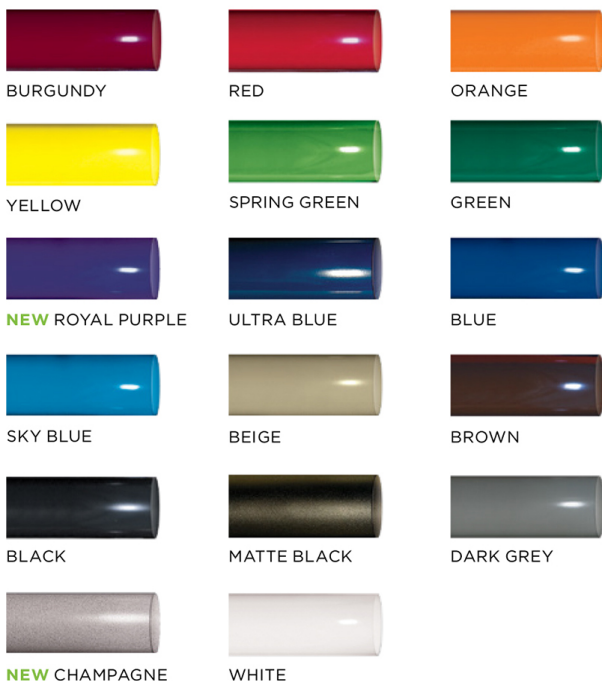
## Wood Planks

2" x 10" and 2" x 4" sizes  
Rounded Edges  
#1 Southern Yellow Pine

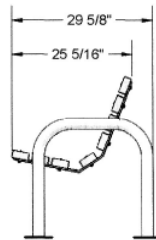
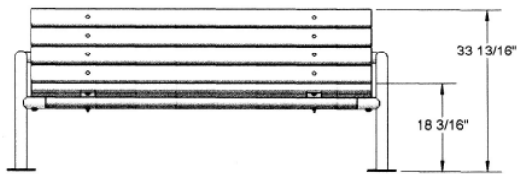
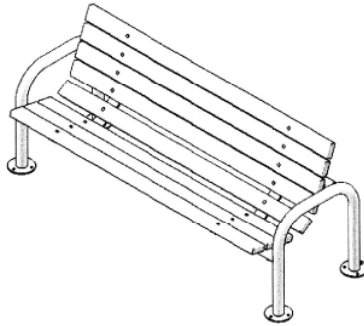
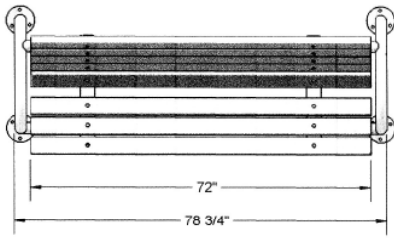
(U) Untreated  
(PT) Pressure Treated  
Environmentally Friendly ACQ  
Kiln Dried Before & After Treatment  
(T) Treated Stain  
Sealed in Redwood Stain With  
Wood Preservative

Model Number	Description
US 965SM-U6	6' Park Bench, 126 Lbs., 2" x 4" Planks, Untreated Pine.
US 965SM-PT6	6' Park Bench, 126 Lbs., 2" x 4" Planks, Treated Pine.
US 965SM-T6	6' Park Bench, 126 Lbs., 2" x 4" Planks, Redwood Stained Pine.
US 965SM-U8	8' Park Bench, 153 Lbs., 2" x 4" Planks, Untreated Pine.
US 965SM-PT8	8' Park Bench, 153 Lbs., 2" x 4" Planks, Treated Pine.
US 965SM-T8	8' Park Bench, 153 Lbs., 2" x 4" Planks, Redwood Stained Pine.

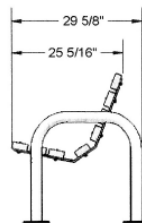
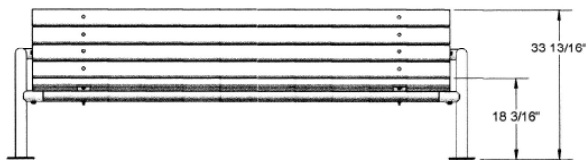
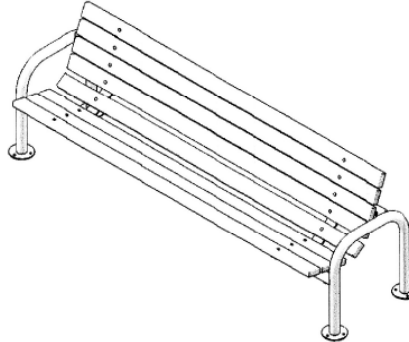
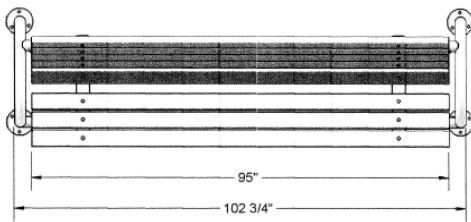
## Standard Powder Coat Colors



**6' Contour Park Bench with Back, Double Post**



**8' Contour Park Bench with Back, Double Post**



**NATIONAL OUTDOOR FURNITURE, INC.**  
 1210 W. Main Street #296 Riverhead, NY 11901  
 Toll-Free Phone: 1-888-663-4621  
 Phone: 631-369-9099 Fax: 631-207-8312  
 Email: [nofinc@optonline.net](mailto:nofinc@optonline.net)  
[www.nationaloutdoorfurniture.com](http://www.nationaloutdoorfurniture.com)

**NATIONAL OUTDOOR FURNITURE, INC.**  
 144 Murdock Road #325 Pomfret Center, CT 06259  
 Toll-Free Phone: 1-888-516-8873  
 Phone: 1-860-974-1551 Fax: 516-706-1901  
 Email: [nofinc@earthlink.net](mailto:nofinc@earthlink.net)  
[www.nationaloutdoorfurniture.com](http://www.nationaloutdoorfurniture.com)