



**Miami Bistro Stacking Chair.**

- *Master pack 4 and 32.*
- Made of 100% resin.
- 7.09 Lbs. each.
- 17"W x 20"D x 35"H.
- ASTM F 1561 Class B commercial rating. UV inhibitors.
- Rated to 300 Lbs. For safe use in commercial environments.

**Item #:** GR BSC

**Resin Chair Colors**



White

Black

Amazon Green

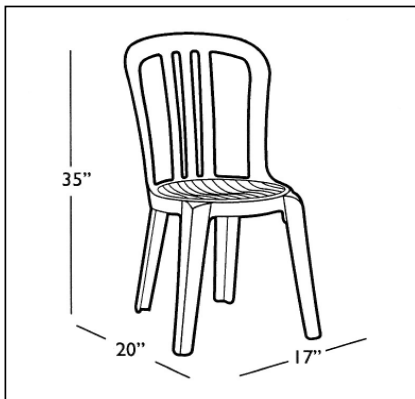


Charcoal

Red

Taupe

Fern Green



**NATIONAL OUTDOOR FURNITURE, INC.**

1210 W. Main Street #296. Riverhead, NY 11901  
Toll-Free Phone: 1-888-663-4621  
Phone: 631-369-9099 Fax: 631-207-8312  
Email: [nofinc@optonline.net](mailto:nofinc@optonline.net)  
[www.nationaloutdoorfurniture.com](http://www.nationaloutdoorfurniture.com)

**NATIONAL OUTDOOR FURNITURE, INC.**

144 Murdock Road #325 Pomfret Center, CT 06259  
Toll-Free Phone: 1-888-516-8873  
Phone: 1-860-974-1551 Fax: 516-706-1901  
Email: [nofinc@earthlink.net](mailto:nofinc@earthlink.net)  
[www.nationaloutdoorfurniture.com](http://www.nationaloutdoorfurniture.com)