

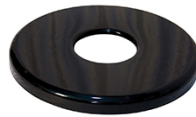
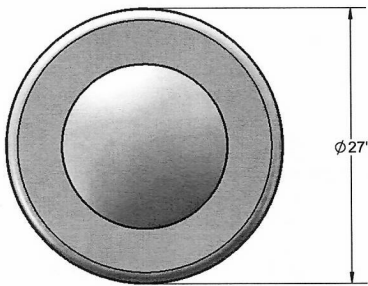
N.O.F. / Inc.



36 Gallon Richmond Recycled Trash Receptacle.

- 229 Lbs.
- Dimensions: 27" Diameter x 49 1/2" Ht.
- 32 gallon capacity.
- Rings are 3/16" x 2" flat.
- Top and bottom plate is laser cut from 1/4" steel.
- All electrically MIG welded.
- Includes a UV protectant.
- Includes 32 gallon liner and flat top lid .
- Available in gray, cedar, brown and green slats

Item #: US 60-34



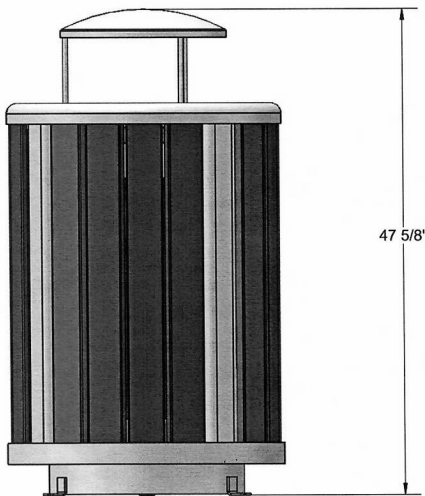
Flat Top



Ash Urn



Rain Bonnet



Recycled Planks

2" x 10", 2" x 4", 3" x 4"

and 4" x 4" Sizes

Rounded Edges

100% Recycled Plastic with Color

(GRY) Gray

(CDR) Cedar

(BRN) Brown

(GRN) Green

NATIONAL OUTDOOR FURNITURE, INC.

1210 W. Main Street #296 Riverhead, NY 11901

Toll-Free Phone: 1-888-663-4621

Phone: 631-369-9099 Fax: 631-207-8312

Email: nofinc@optonline.net

www.nationaloutdoorfurniture.com

NATIONAL OUTDOOR FURNITURE, INC.

144 Murdock Road #325 Pomfret Center, CT 06259

Toll-Free Phone: 1-888-516-8873

Phone: 1-860-974-1551 Fax: 516-706-1901

Email: nofinc@earthlink.net

www.nationaloutdoorfurniture.com