

# N.O.F. / Inc.



## 4' Comfort Park Avenue Recycled Plastic Bench.

- Also available in 6' and 8' lengths. Shown as 6 ft. size.
- Inground and surface mounting kits available.
- 110 lbs.
- Dim: 48"W x 14"D x 33.5"Ht.
- Made with seven 2" x 4" recycled plastic slats and two black recycled plastic bases.
- All holes are predrilled and countersunk for plastic lumber.
- Includes a UV protectant.
- Maintenance free.
- Available in green, cedar, and gray with black base.
- Some assembly required.

**Item#** JP PB4CPAE

Model Number	Weight	Dimensions
JP PB4CPAE	110 Lbs.	48"W x 14"D x 33.5" Ht.- 2 Bases
JP PB6CPAE	160 Lbs.	72"W x 14"D x 33.5" Ht.- 3 Bases
JP PB8CPAE	215 Lbs.	96"W x 14"D x 33.5" Ht.- 4 Bases

## Resinwood Slat Colors



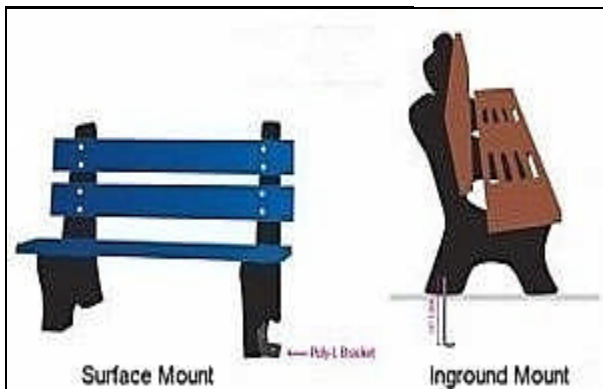
Cedar

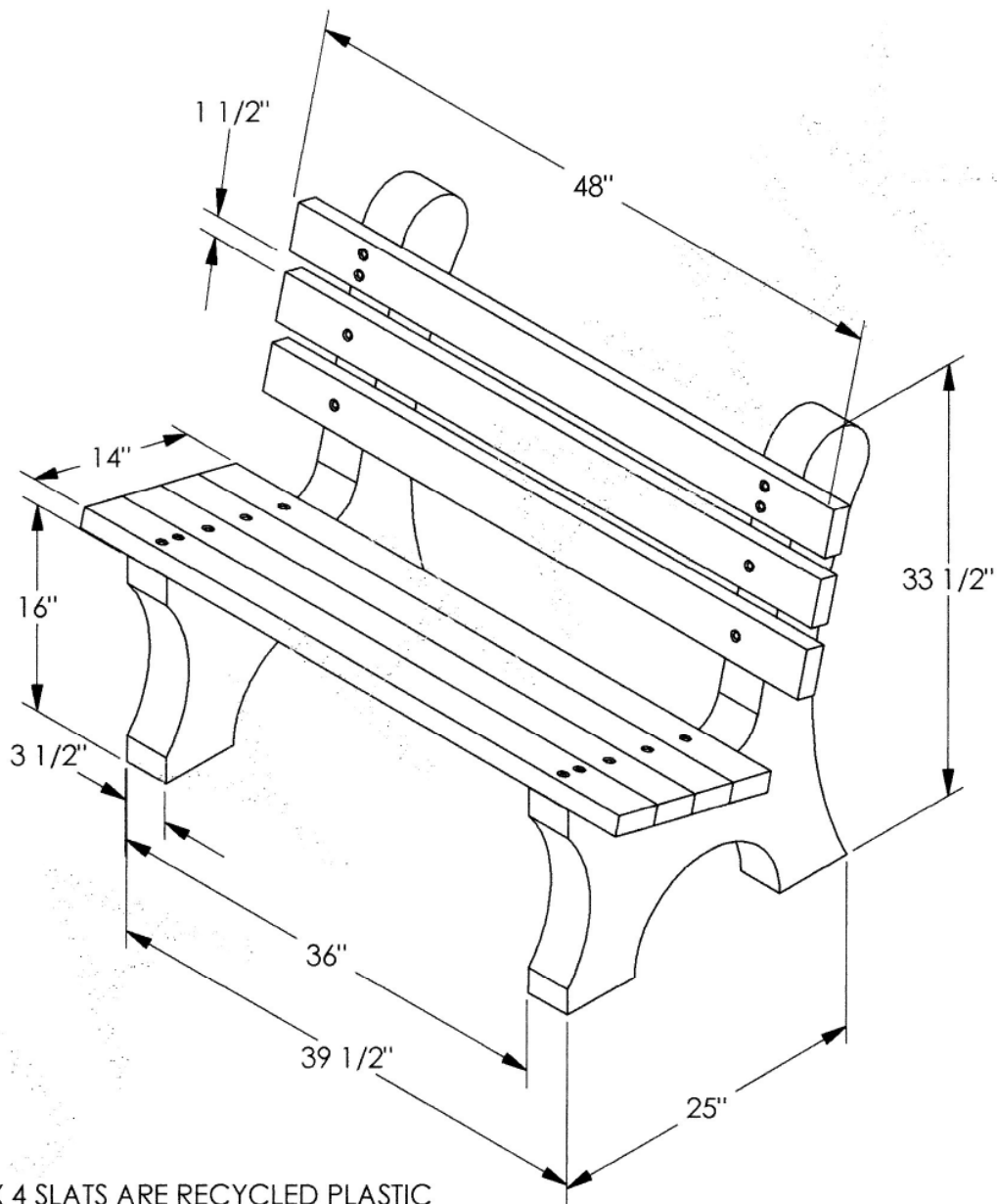


Brown



Gray





NOTES:

- 2 X 4 SLATS ARE RECYCLED PLASTIC
  - BASES ARE RECYCLED PLASTIC
  - ALL HOLES PRE-DRILLED AND COUNTERSUNK
  - ALL HARDWARE IS ZINC PLATED (1/4 X 3 1/2 LG. HEX HD. LAG SCREWS, WITH WASHERS) STAINLESS STEEL HARDWARE AVAILABLE
- UNIT WEIGHT APPROX. 110 LBS.

**NATIONAL OUTDOOR FURNITURE, INC.**

1210 W. Main Street #296 Riverhead, NY 11901  
 Toll-Free Phone: 1-888-663-4621  
 Phone: 631-369-9099 Fax: 631-207-8312  
 Email: [nofinc@optonline.net](mailto:nofinc@optonline.net)  
[www.nationaloutdoorfurniture.com](http://www.nationaloutdoorfurniture.com)

**NATIONAL OUTDOOR FURNITURE, INC.**

144 Murdock Road #325 Pomfret Center, CT 06259  
 Toll-Free Phone: 1-888-516-8873  
 Phone: 1-860-974-1551 Fax: 516-706-1901  
 Email: [nofinc@earthlink.net](mailto:nofinc@earthlink.net)  
[www.nationaloutdoorfurniture.com](http://www.nationaloutdoorfurniture.com)