



Palisade Contour Bench

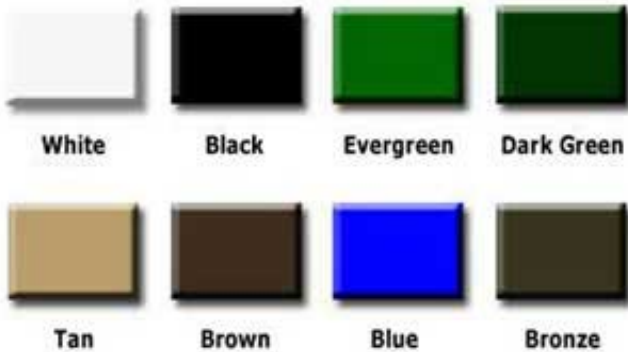
- Oak or Redwood Slats.
- Seven Gauge Cold Rolled Steel.
- Powder coated steel frame.
- 1/4-20 stainless machine screw, allow drive nut(tamper resistant).
- 2" x 2" sq. tube .095 wall with steel plate and mounting holes.
- Dim: 32 1/2" Overall Ht x 17" Seat Ht x 27 1/2" Depth.
- 4',5',6' & 8' lengths available.

Model # Size / Slats

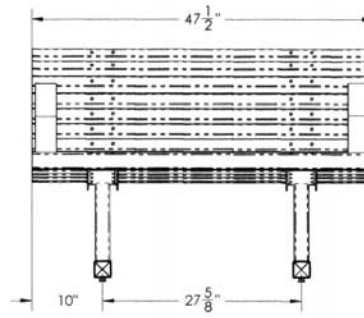
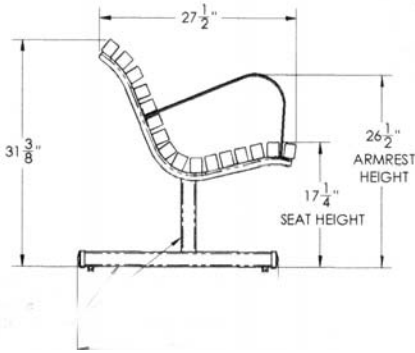
KR PBSC 4-O	118 Lbs. 4 Foot-Oak Slats
KR PBSC 4-R	118 Lbs. 4 Ft.-Redwood Slats
KR PBSC 5-O	128 Lbs. 5 Foot-Oak Slats
KR PBSC 5-R	128 Lbs. 5 Foot-Redwood Slats
KR PBSC 6-O	138 Lbs. 6 Foot-Oak Slats
KR PBSC 6-R	138 Lbs. 6 Foot-Redwood Slats
KR PBSC 8-O	186 Lbs. 8 Foot-Oak Slats
KR PBSC 8-R	186 Lbs. 8 Foot-Redwood Slats

Optional armrests.

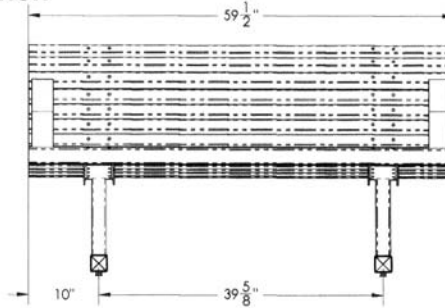
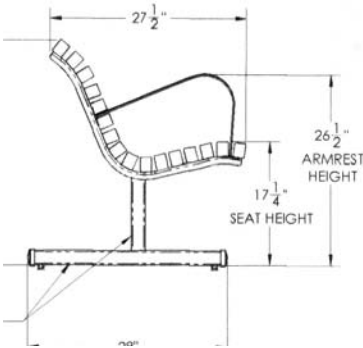
Powder Coated Finishes



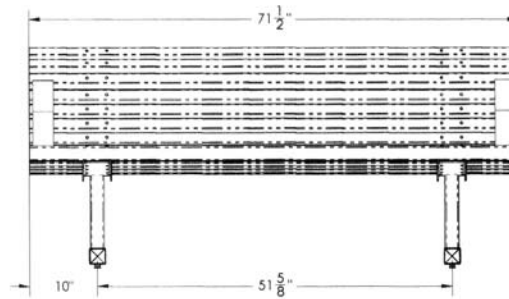
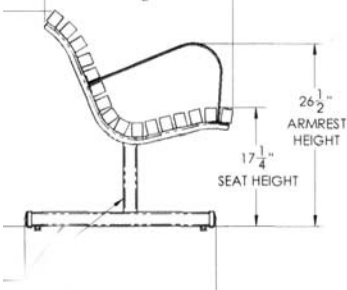
4 Ft. Palisade Bench



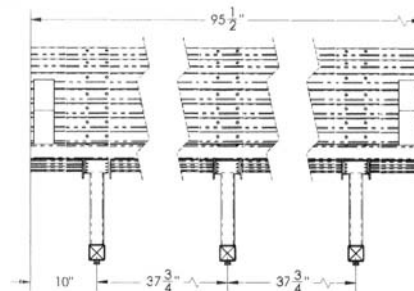
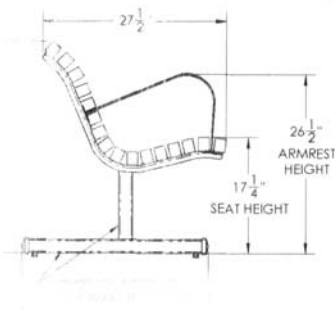
5 Ft. Palisade Bench



6 Ft. Palisade Bench



8 Ft. Palisade Bench



NATIONAL OUTDOOR FURNITURE, INC.
 1210 W. Main Street #296. Riverhead, NY 11901
 Toll-Free Phone: 1-888-663-4621
 Phone: 631-369-9099 Fax: 631-207-8312
 Email: nofinc@optonline.net
www.nationaloutdoorfurniture.com

NATIONAL OUTDOOR FURNITURE, INC.
 144 Murdock Road #325 Pomfret Center, CT 06259
 Toll-Free Phone: 1-888-516-8873
 Phone: 1-860-974-1551 Fax: 516-706-1901 Email:
nofinc@earthlink.net
www.nationaloutdoorfurniture.com