

N.O.F. / Inc.



Renaissance Bench

- Powder coated cast aluminum arms.
- 1/4"-20 steel zinc plated, yellow dipped carriage bolts and nuts.
- Mounting holes optional.
- Dim: 30 1/4" Overall Ht x 24" Arm Ht x 15 3/4" Seat Ht x 26" Depth.
- Slat Options: Oak Slats, Recycled Plastic Slats, Aluminum Slats.
- Length Options: 4 Ft, 5 Ft, 80".
- Some assembly required.

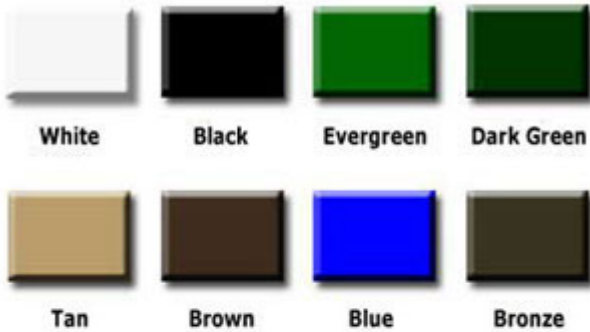
Model # Size / Slats

| | |
|--------------|----------------------------------|
| KR RBS 48-O | 60 Lbs. 4 Ft.-Oak |
| KR RBS 48-A | 60 Lbs. 4 Ft.-Aluminum |
| KR RBS 48-F | 60 Lbs. 4 Ft.-Recycled Plastic |
| KR RBP 60-O | 80 Lbs. 5 Ft.-Oak |
| KR RBP 60-A | 80 Lbs. 5 Ft.-Aluminum |
| KR RBP 60-F | 80 Lbs. 5 Ft.-Recycled Plastic |
| KR RBLF 80-O | 90 Lbs. 80" Ft.-Oak |
| KR RBLF 80-A | 80 Lbs. 80" Ft.-Aluminum |
| KR RBLF 80-F | 80 Lbs. 80" Ft.-Recycled Plastic |

Aluminum Slat Colors: Black, White, Brown, Tan, Evergreen, Dk. Green, Bronze, Blue.

Recycled Plastic Slat Color: Cedar and Redwood.

Cast Aluminum Arm Finishes



Bench Slat Options



Oak
Aluminum
Recycled
Plastic

Recycled Plastic

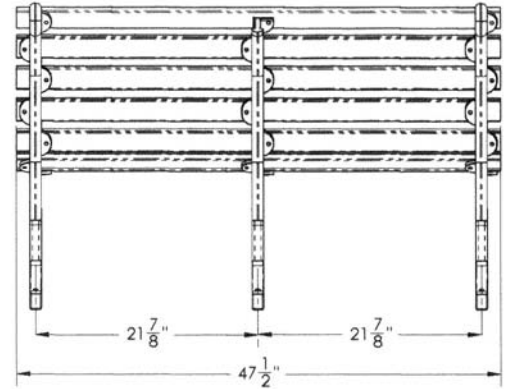
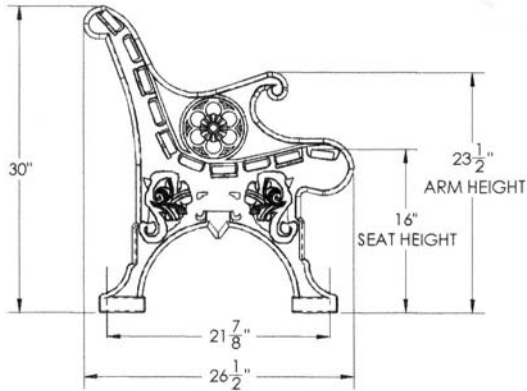
Cedar



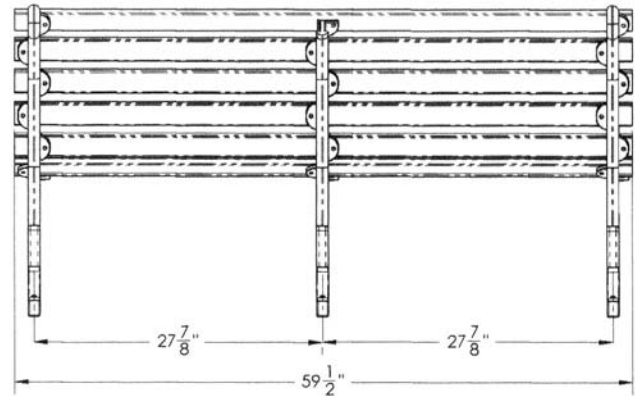
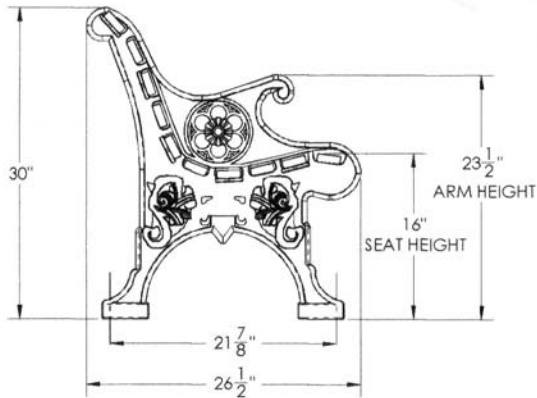
Redwood



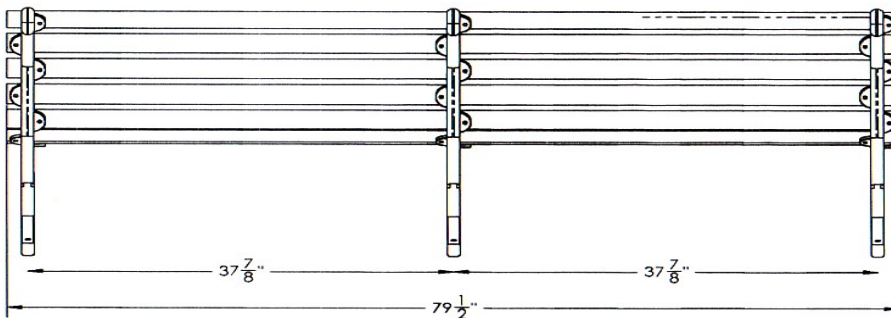
48" Renaissance Bench



60" Renaissance Bench



80 Renaissance Bench



NATIONAL OUTDOOR FURNITURE, INC.

P.O. Box 296 Riverhead, NY 11901
 Toll-Free Phone: 1-888-663-4621
 Phone: 631-369-9099 Fax: 631-207-8312
 Email: nofinc@optonline.net
www.outdoorchaise.com

NATIONAL OUTDOOR FURNITURE, INC.

P.O. Box 325 Pomfret Center, Ct 06259
 Toll-Free Phone: 1-888-516-8873
 Phone: 1-860-974-1551 Fax: 516-706-1901
 Email: nofinc@earthlink.net
www.outdoorchaise.com