



6' Park Wood Backless Bench - Inground Mount.

- Available in 6' and 8' lengths.
- 17 7/16"H x 9 3/4" Seat Depth.
- 2" x 10" Planks.
- All MIG welded frame with zinc plated hardware.
- Frame is made of 2 3/8" O.D. pipe. Brace is 1" O.D. pipe.
- Available in portable and surface mount.
- Some assembly required.

Item #: US 942S

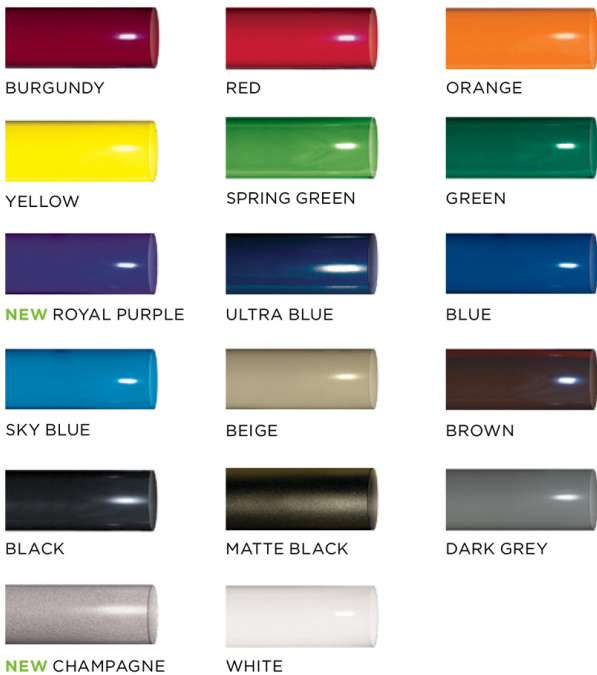


Wood Planks

2" x 10" and 2" x 4" sizes
Rounded Edges
#1 Southern Yellow Pine

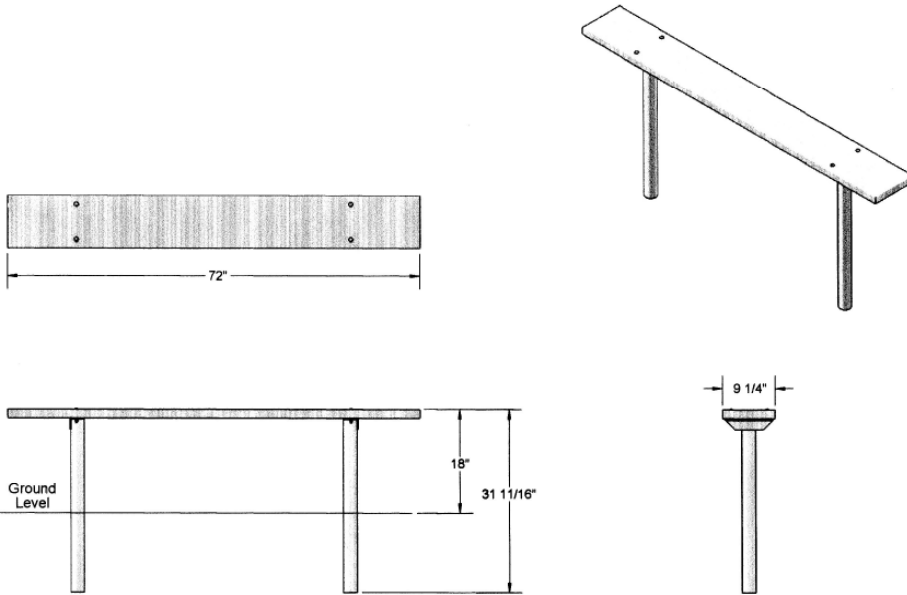
(U) Untreated
(PT) Pressure Treated
Environmentally Friendly ACQ
Kiln Dried Before & After Treatment
(T) Treated Stain
Sealed in Redwood Stain With
Wood Preservative

Standard Powder Coat Colors

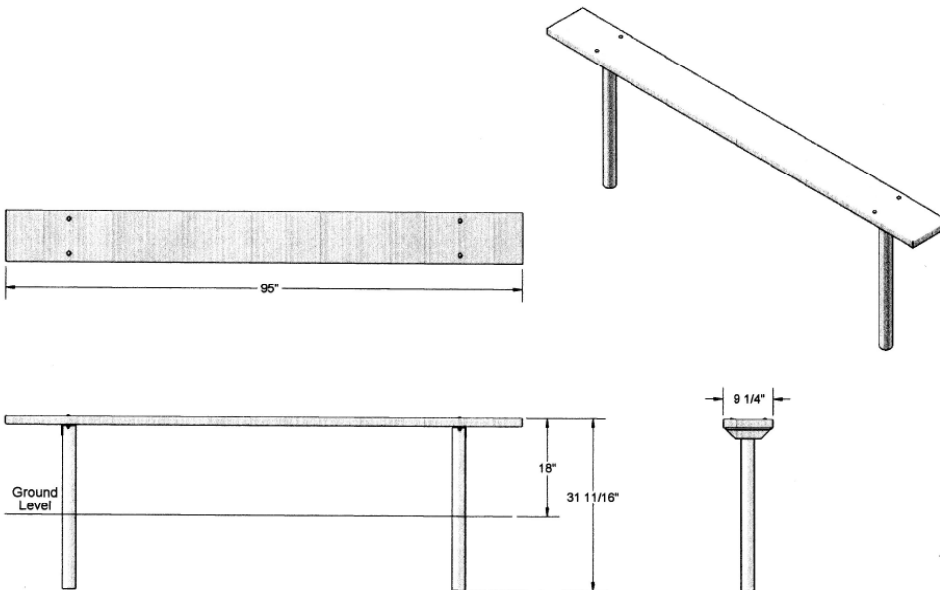


| Model Number | Description |
|--------------|---|
| US 942S-U6 | 6' Park Bench, 35 Lbs., Untreated Pine, Inground Mount. |
| US 942S-PT6 | 6' Park Bench, 35 Lbs., Treated Pine, Inground Mount. |
| US 942S-T6 | 6' Park Bench, 35 Lbs., Redwood Stained Pine, Inground Mount. |
| US 942S-U6 | 6' Park Bench, 39 Lbs., Aluminum Planks, Inground Mount. |
| US 942S-U8 | 8' Park Bench, 41 Lbs., Untreated Pine, Inground Mount. |
| US 942S-PT8 | 8' Park Bench, 41 Lbs., Treated Pine, Inground Mount. |
| US 942S-T8 | 8' Park Bench, 41 Lbs., Redwood Stained Pine, Inground Mount. |
| US 942S-U8 | 8' Park Bench, 44 Lbs., Aluminum Planks, Inground Mount. |

6' Park Bench, No Back.



8' Park Bench, No Back.



NATIONAL OUTDOOR FURNITURE, INC.
1210 W. Main Street #296 Riverhead, NY 11901
Toll-Free Phone: 1-888-663-4621
Phone: 631-369-9099 Fax: 631-207-8312
Email: nofinc@optonline.net
www.nationaloutdoorfurniture.com

NATIONAL OUTDOOR FURNITURE, INC.
144 Murdock Road #325 Pomfret Center, CT 06259
Toll-Free Phone: 1-888-516-8873
Phone: 1-860-974-1551 Fax: 516-706-1901
Email: nofinc@earthlink.net
www.nationaloutdoorfurniture.com