



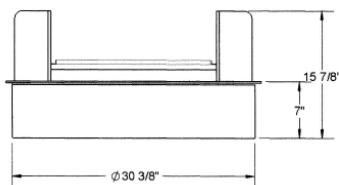
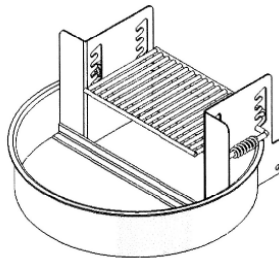
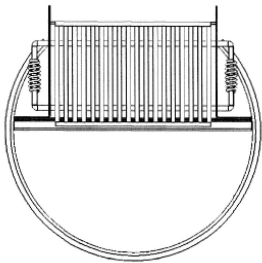
30" Diameter Multi Functional Fire Ring - Single Flange.

- 83 - 96 Lbs.
- 285 Total square inch cooking surface.
- Fire ring size: 30" diameter x 7" high. Available in 9" and 18" and 18" ADA height.
- Durable rust resistant high temp black powder coated firebox.
- All MIG welded.
- 7 Gauge outer wall with 1" safety lip.
- Permanently mounted four level adjustable cooking grate with cool coil handles.
- Staple anchors are included for inground mount.
- Some assembly required.

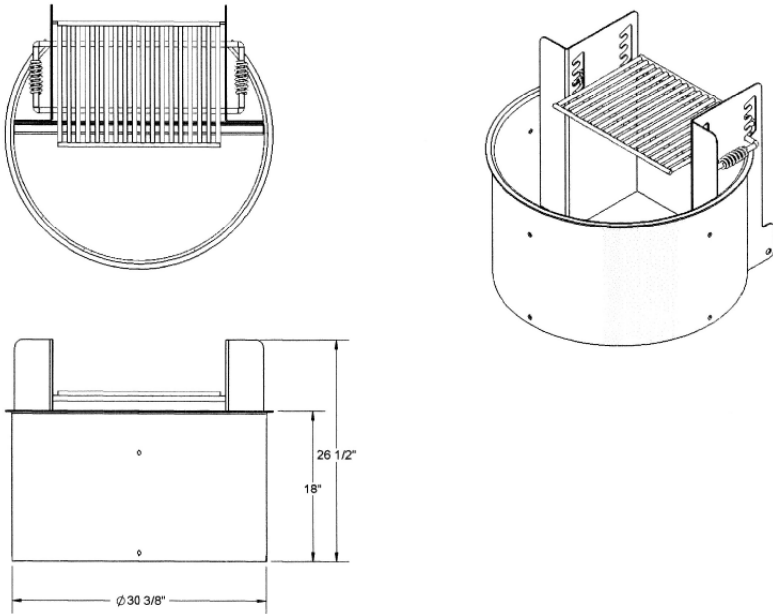
Item #: US 612

Model Number	Description
US 612	30" Diameter x 7"H Fire Ring, 83 lbs. Adjustable, Single Flange.
US 612-9	30" Diameter x 9"H Fire Ring, 96 lbs. Adjustable, Single Flange
US 612H	30" Diameter x 18"H ADA Fire Ring, 131 lbs. Adjustable, Single Flange.

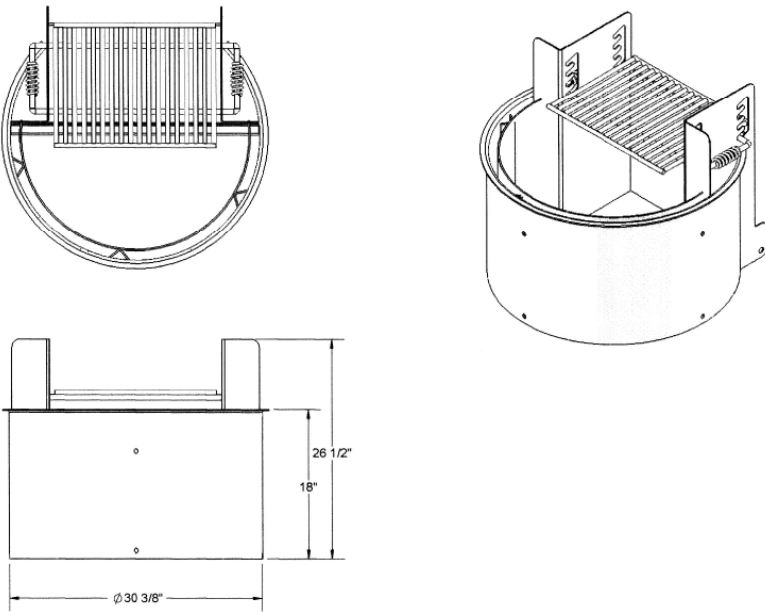
30" Diameter x 7" H Fire Ring, Non Adjustable - Single Flange.



30" Diameter x 18" H Fire Ring, Non Adjustable, - Single Flange.



30" Diameter x 18" H ADA Fire Ring, Non Adjustable, Inner Ring - Single Flange.



NATIONAL OUTDOOR FURNITURE, INC.
1210 W. Main Street #296. Riverhead, NY 11901
Toll-Free Phone: 1-888-663-4621
Phone: 631-369-9099 Fax: 631-207-8312
Email: nofinc@optonline.net
www.nationaloutdoorfurniture.com

NATIONAL OUTDOOR FURNITURE, INC.
144 Murdock Road #325 Pomfret Center, CT 06259
Toll-Free Phone: 1-888-516-8873
Phone: 1-860-974-1551 Fax: 516-706-1901
Email: nofinc@earthlink.net
www.nationaloutdoorfurniture.com