



6 Ft. Richmond Recycled Plastic Bench -Inground Mount/Surface Mount.

- 235-240 Lbs.
- Seat planks with 2" x 4" recycled plastic slats.
- 3" x 3" square x 11 gauge structural steel tubing.
- Electrically MIG welded.
- Frame electrostatic powder coated application oven cured after fabrication.
- Contains UV stabilizers to prevent fading.
- All fasteners are zinc coated.
- Available with armrests.
- Some assembly required.

Item #: US 61

US 61SM-6	6 Ft Richmond Recycled Plastic Bench, 235 Lbs. Surface Mount.
US 61S-6	6 Ft Richmond Recycled Plastic Bench, 240 Lbs. Ingrround Mount.



Recycled Planks

2"x 10", 2" x 4", 3" x 4"
and 4" x4" Sizes

Rounded Edges

100% Recycled Plastic with Color

(GRY) Gray

(CDR) Cedar

(BRN) Brown

(GRN) Green

Standard Powder Coat Colors



BURGUNDY



RED



ORANGE



YELLOW



SPRING GREEN



GREEN



NEW ROYAL PURPLE



ULTRA BLUE



BLUE



SKY BLUE



BEIGE



BROWN



BLACK



MATTE BLACK



DARK GREY

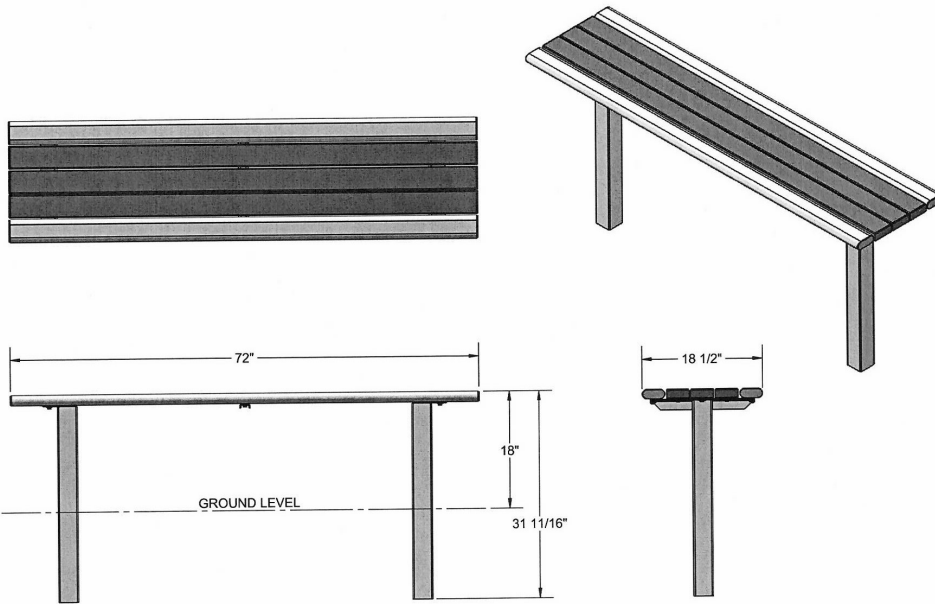


NEW CHAMPAGNE

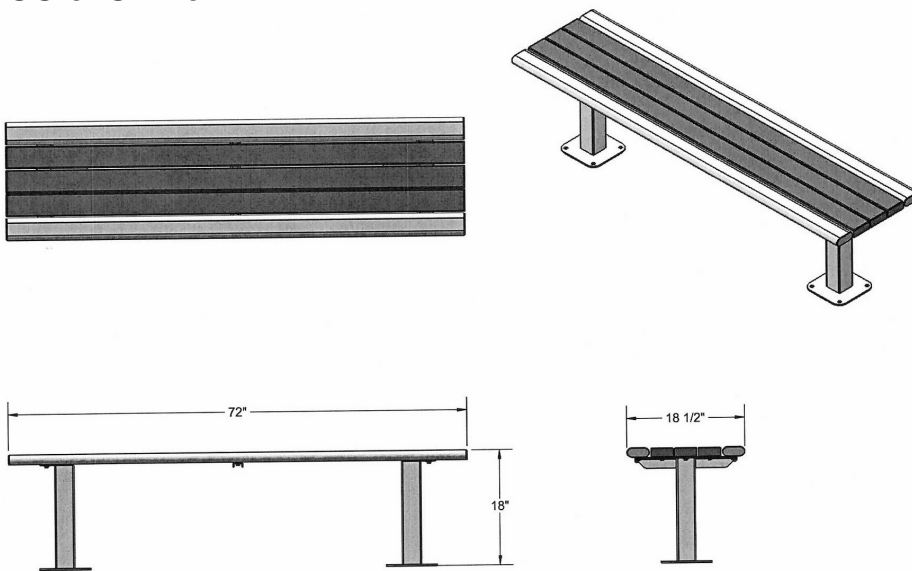


WHITE

US 61S-6



US 61SM-6



NATIONAL OUTDOOR FURNITURE, INC.
1210 W. Main Street #296 Riverhead, NY 11901
Toll-Free Phone: 1-888-663-4621
Phone: 631-369-9099 Fax: 631-207-8312
Email: nofinc@optonline.net
www.nationaloutdoorfurniture.com

NATIONAL OUTDOOR FURNITURE, INC.
144 Murdock Road #325 Pomfret Center, CT 06259
Toll-Free Phone: 1-888-516-8873
Phone: 1-860-974-9996 Fax: 516-706-1901
Email: nofinc@earthlink.net
www.nationaloutdoorfurniture.com