

N.O.F. / Inc.

36" Square Preschool Picnic Table - Portable

- Table height is 20". Seat height is 12".
- Overall Dimensions: 65" x 65" Square. 175 and 136 Lbs.
- Tops and seats are 11 gauge die formed angle frame 1" x 1 7/8" with 3" radius corners. Thermoplastic coated.
- 1-5/8" O.D. x 14 gauge pre-galvanized structural steel tubing. Electrically MIG welded.
- Stainless steel and zinc coated hardware fasteners.
- Electrostatic powder coated application oven cured frame.
- Available in expanded diamond and perforated style seats with solid top.
- Electrically MIG welded.
- Some assembly required.

Item #: US 350PS



Table Styles



Diamond

Perforated

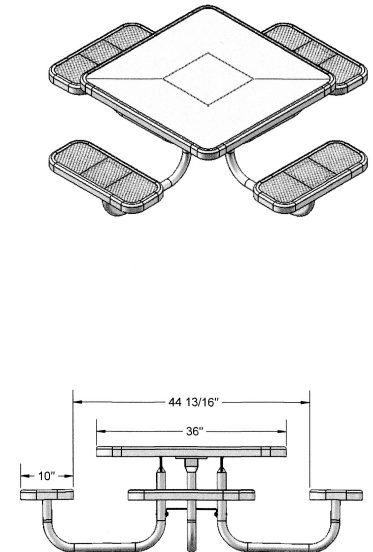
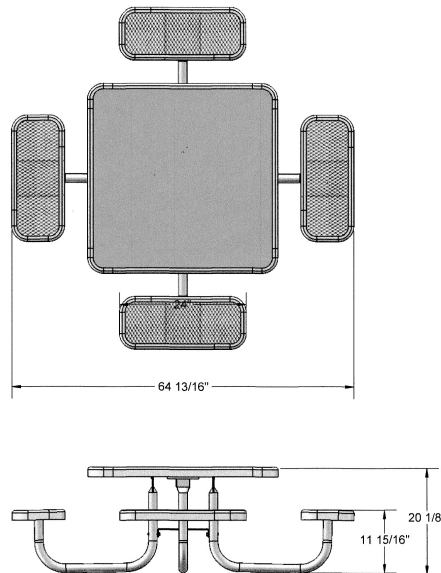
Powder Coat Colors



Thermoplastic Colors



Model Number	Description
US 350PSV	36 in. Table, Diamond Style, 175 Lbs.
US 350PSP	36 in. Table, Perforated Style, 190 Lbs



NATIONAL OUTDOOR FURNITURE, INC.

1210 W. Main Street #296. Riverhead, NY 11901
 Toll-Free Phone: 1-888-663-4621
 Phone: 631-369-9099 Fax: 631-207-8312
 Email: nofinc@optonline.net
www.nationaloutdoorfurniture.com

NATIONAL OUTDOOR FURNITURE, INC.

144 Murdock Road #325 Pomfret Center, CT 06259
 Toll-Free Phone: 1-888-516-8873
 Phone: 1-860-974-1551 Fax: 516-706-1901
 Email: nofinc@earthlink.net
www.nationaloutdoorfurniture.com