



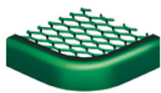
### Charleston Bench

- ✓ 4 Ft. and 6 Ft. lengths.
- ✓ 1-1/2" cast aluminum frame.
- ✓ Five bench styles.
- ✓ Eight thermoplastic finishes.
- ✓ Portable and/or surface mount.
- ✓ All stainless steel hardware.
- ✓ Some assembly required.

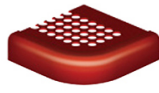
NOF #US 964

4 Ft. Model Number	Description
US 964S4	Slat Style 170 Lbs.
US 964P4	Perforated Style 158 Lbs.
US 964V4	Diamond Style 150 Lbs.
6 Ft. Model Number	Description
US 964S6	Slat Style 190 Lbs.
US 964P6	Perforated Style 170 Lbs.
US 964V6	Diamond Style 175 Lbs.

### Charleston Styles and Colors



Diamond



Perforated



Slat

### Thermoplastic Colors



Ultra Blue



Burgundy



Green



Beige



Blue



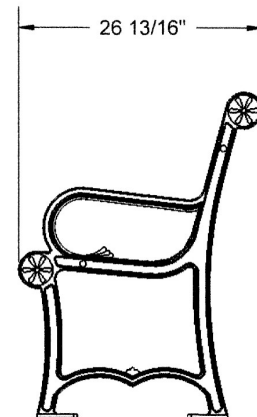
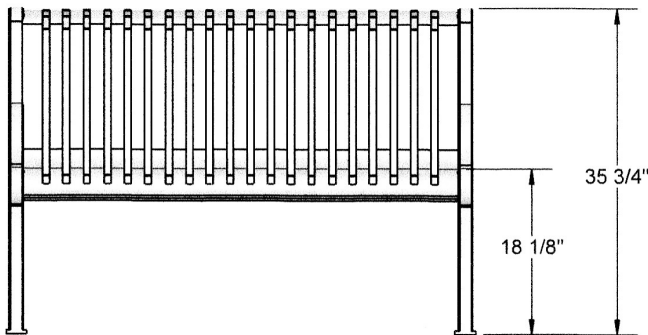
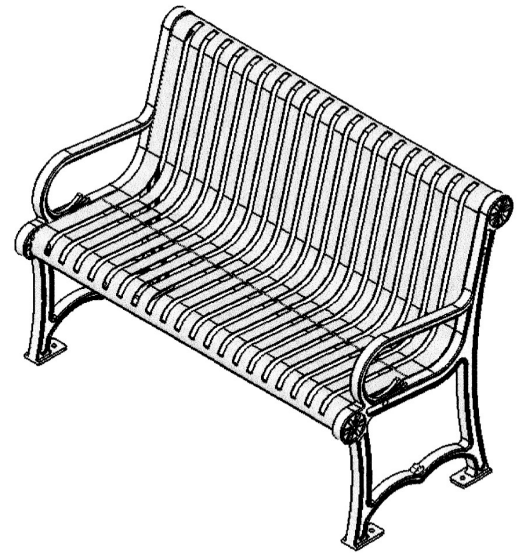
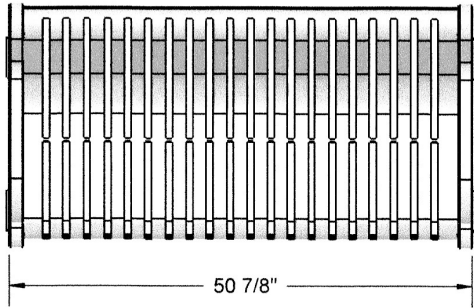
Red



Brown



Black



**4 Ft. Slat Style**

**NATIONAL OUTDOOR FURNITURE, INC.**  
 1210 W. Main Street #296 Riverhead, NY 11901  
 Toll-Free Phone: 1-888-663-4621  
 Phone: 631-369-9099 Fax: 631-207-8312  
 Email: [nofinc@optonline.net](mailto:nofinc@optonline.net)  
[www.nationaloutdoorfurniture.com](http://www.nationaloutdoorfurniture.com)

**NATIONAL OUTDOOR FURNITURE, INC.**  
 144 Murdock Road #325 Pomfret Center, CT 06259  
 Toll-Free Phone: 1-888-516-8873  
 Phone: 1-860-974-9996 Fax: 516-706-1901  
 Email: [nofinc@earthlink.net](mailto:nofinc@earthlink.net)  
[www.nationaloutdoorfurniture.com](http://www.nationaloutdoorfurniture.com)