

N.O.F. / Inc.



4', 5' and 80" Victorian Backless Bench – Portable/Surface Mount.

- 4' Dimensions. 16" Seat Ht. x 20" Depth x 48" Length.
- Slat Options: Oak Slats, Recycled Plastic Slats, Aluminum Slats.
- Powder coated cast aluminum arms.
- 1/4"-20 steel zinc plated, yellow dipped carriage bolts and nuts.
- With or without mounting holes.
- 4' Two legs. 5' and 80" three legs.
- 100% Recycled aluminum casting frame.
- Made in the USA.
- Some assembly required.

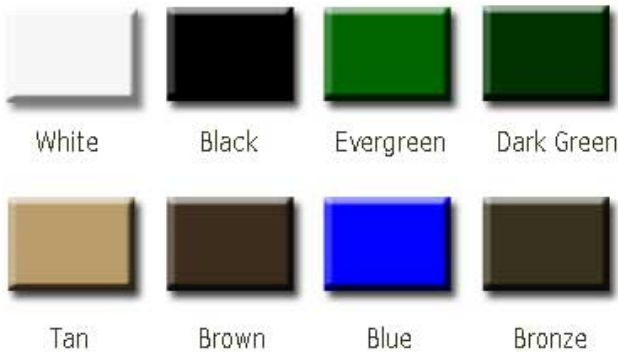
Model # Size / Slats

KR VBS 48-O	25 Lbs. 4 Ft.-Oak
KR VBBS 48-A	25 lbs.4 Ft.-Aluminum
KR VBBS 48-F	25 lbs.4 Ft.-Recycled Plastic
KR VBBP 60-O	40 Lbs. 5 Ft.-Oak
KR VBBP 60-A	40 Lbs. 5 Ft.-Aluminum
KR VBBP 60-F	40 Lbs. 5 Ft.-Recycled Plastic
KR VBBLF 80-O	46 Lbs. 80" Ft.-Oak
KR VB8LF 80-A	46 Lbs. 80" Ft.-Aluminum
KR VBBLF 80-F	46 Lbs. 80" Ft.-Recycled Plastic

Aluminum Slat Colors: Black, White, Brown, Tan, Evergreen, Dk. Green, Bronze, Blue.

Recycled Plastic Slat Color: Cedar/Redwood.

Cast Aluminum Arm Finishes



Recycled Plastic Slats

Cedar

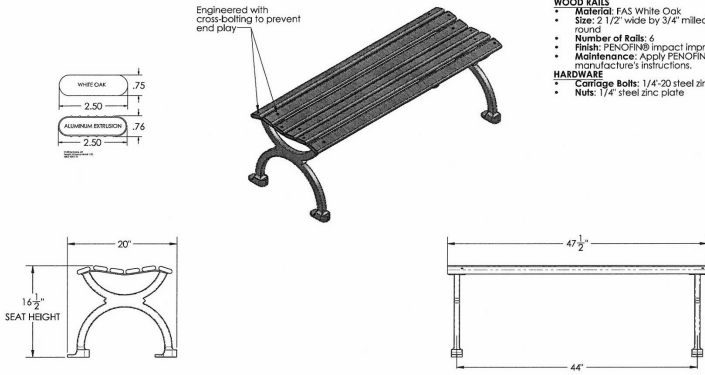


Redwood

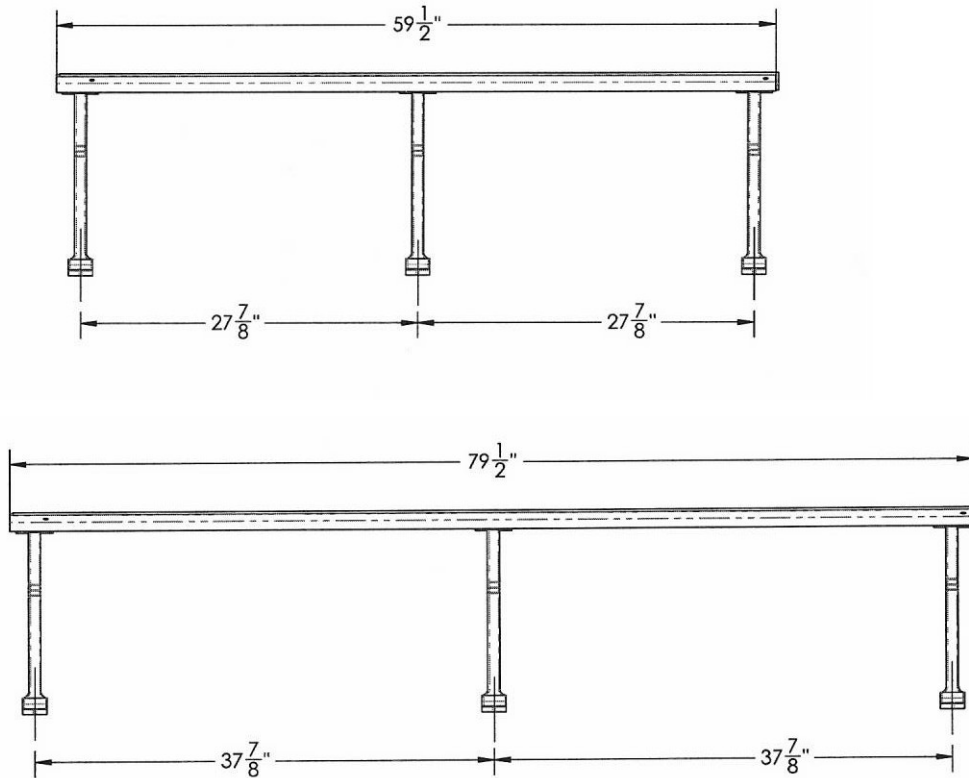


PRODUCT SPECIFICATIONS

VICTORIAN BACKLESS BENCH - 48"



- FRAME**
- Material: Cast aluminum poured in permanent molds
 - Finish: Electro static powder coating
 - Color: Black, White, Green, Tan, Dk. Brown, Dk. Green, Bronze and Blue.
- WOOD RAILS**
- Material: FAS White Oak
 - Size: 2 1/2" wide by 3/4" milled two edges 3/4" half round
 - Number of Rails: 6
 - Finish: PENOFIN® Impact Impregnated
 - Maintenance: Apply PENOFIN® as necessary. Follow manufacturer's instructions.
- HARDWARE**
- Carriage Bolts: 1/4"-20 steel zinc plate, yellow dipped
 - Nuts: 1/4" steel zinc plate



NATIONAL OUTDOOR FURNITURE, INC.
 1210 W. Main Street #296 Riverhead, NY 11901
 Toll-Free Phone: 1-888-663-4621
 Phone: 631-369-9099 Fax: 631-207-8312
 Email: nofinc@optonline.net
www.nationaloutdoorfurniture.com

NATIONAL OUTDOOR FURNITURE, INC.
 144 Murdock Road #325 Pomfret Center, CT 06259
 Toll-Free Phone: 1-888-516-8873
 Phone: 1-860-974-1551 Fax: 516-706-1901
 Email: nofinc@earthlink.net
www.nationaloutdoorfurniture.com