



**6' Iron Valley Picnic Table- Surface Mount and Inground Mount.**

- 6' Dimensions: 72"L x 29 1/2" Ht. Seats are 16 7/8" Ht. 660 Lbs.
- 12 Gauge steel solid top with 24 1/2" slat seats.
- Slats are formed ASTM 1018 cold rolled steel - 1 1/2" x 3/16".
- Main support column is 4 1/2" x 27" LG pipe.
- Coated with zinc rich epoxy primer and top coated with electrostatic powercoat, oven cured.
- Some assembly required.

**NOF #KR IVPT6**

**Frame Finishes**



White



Black



Evergreen



Dark Green



Tan



Brown

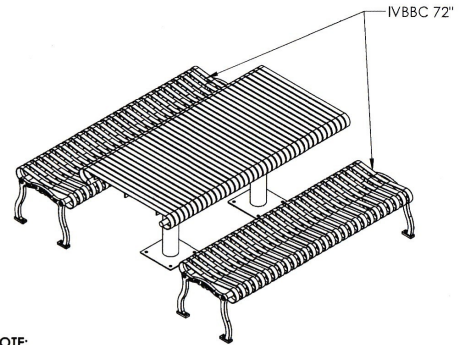
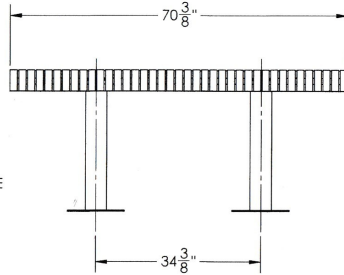
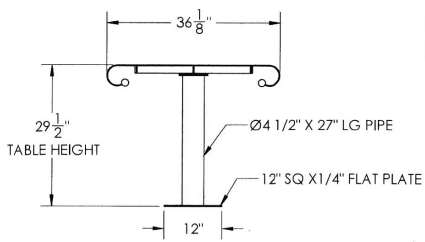


Blue

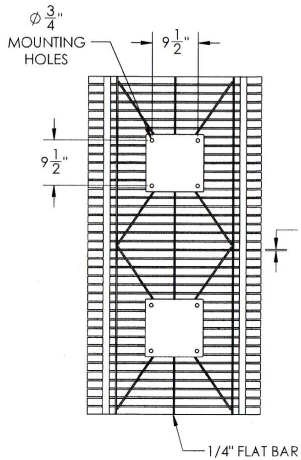


Bronze

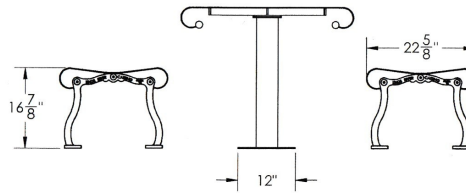
# IRON VALLEY PICNIC TABLE - 6'



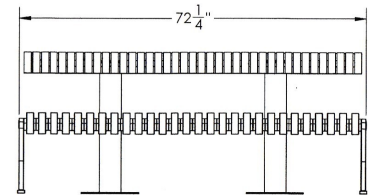
**NOTE:**  
TABLE INCLUDES 2 MATCHING BACKLESS BENCHES (IVBBC 72').  
**SPECIFY:** SURFACE MOUNT (SM) OR IN GROUND MOUNT (IG)



1/4" SPACE BETWEEN SLATS TYP



**NOTE:**  
ALL SLATS ARE FORMED  
ASTM 1018 COLD ROLLED  
STEEL - 1 1/2" X 3/16"



**NATIONAL OUTDOOR FURNITURE, INC.**  
1210 W. Main Street #296 Riverhead, NY 11901  
Toll-Free Phone: 1-888-663-4621  
Phone: 631-369-9099 Fax: 631-207-8312  
Email: [nofinc@optonline.net](mailto:nofinc@optonline.net)  
[www.nationaloutdoorfurniture.com](http://www.nationaloutdoorfurniture.com)

**NATIONAL OUTDOOR FURNITURE, INC.**  
144 Murdock Road #325 Pomfret Center, CT 06259  
Toll-Free Phone: 1-888-516-8873  
Phone: 1-860-974-9996 Fax: 516-706-1901  
Email: [nofinc@earthlink.net](mailto:nofinc@earthlink.net)  
[www.nationaloutdoorfurniture.com](http://www.nationaloutdoorfurniture.com)