



4', 5' and 80" Renaissance Backless Bench – Portable/Surface Mount.

- 4 Ft. Dimensions: 16 1/8" Seat Ht. x 21 7/8" Depth x 59 1/2" Length. 30 Lbs.
- Slat Options: Oak Slats, Recycled Plastic Slats, Aluminum Slats.
- Powder coated cast aluminum legs.
- 1/4"-20 steel zinc plated, yellow dipped carriage bolts and nuts.
- With or without mounting holes.
- 5' and 80" bench has three legs.
- 4' Bench with recycled plastic slats has three legs.
- Made in the USA.
- Some assembly required.

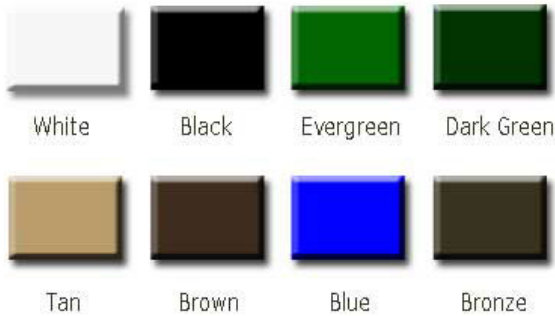
Model # Size / Slats

- KR RBBS 48-O, 30 Lbs. 4 Ft.-Oak
- KR RBBS 48-A, 30 Lbs. 4 Ft.-Aluminum
- KR RBBP 60-O, 45 Lbs. 5 Ft.-Oak
- KR RBBP 60-A, 45 Lbs. 5 Ft.-Aluminum
- KR RBBP 60-F, 45 Lbs. 5 Ft.-Recycled Plastic
- KR RBBLF 80-O, 51 Lbs. 80" Ft.-Oak
- KR RBBLF 80-A, 51 Lbs. 80" Ft.-Aluminum
- KR RBBLF 80-F, 51 Lbs. 80" Ft.-Recycled

Aluminum Slat Colors: Black, White, Brown, Tan, Evergreen, Dk. Green, Bronze, Blue.

Recycled Plastic Slat Color: Cedar and Redwood.

Frame Finishes



Recycled Plastic Slats

Cedar

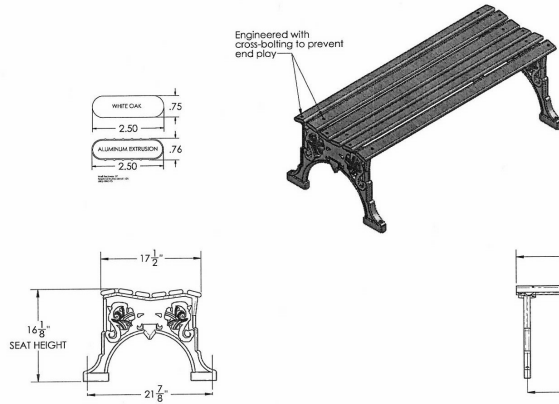


Redwood



PRODUCT SPECIFICATIONS

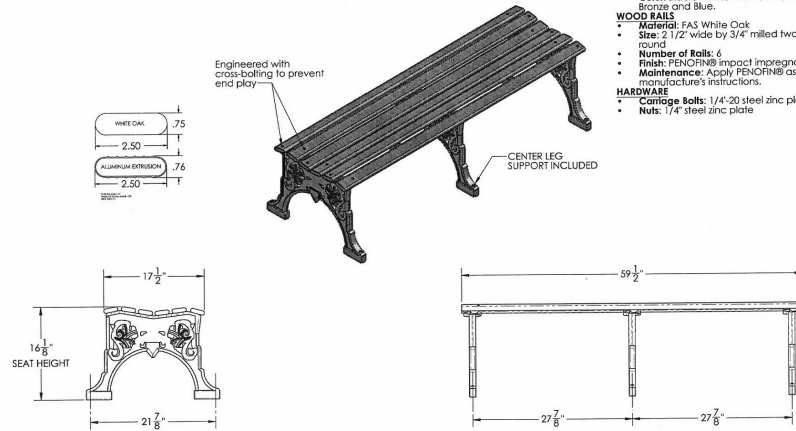
RENAISSANCE BACKLESS BENCH - 48"



- FRAME**
- Material: Cast aluminum poured in permanent molds
 - Finish: Electro static powder coating
 - Color: Black, White, Green, Tan, Dk. Brown, Dk. Green, Bronze and Blue.
- WOOD RAILS**
- Material: FAS White Oak
 - Size: 2 1/2" wide by 3/4" milled two edges 3/4" half round
 - Number of Rails: 6
 - Finish: PENOFIN® impact impregnated
 - Maintenance: Apply PENOFIN® as necessary. Follow manufacturer's instructions.
- HARDWARE**
- Carriage Bolts: 1/4"-20 steel zinc plate, yellow dipped
 - Nuts: 1/4" steel zinc plate

PRODUCT SPECIFICATIONS

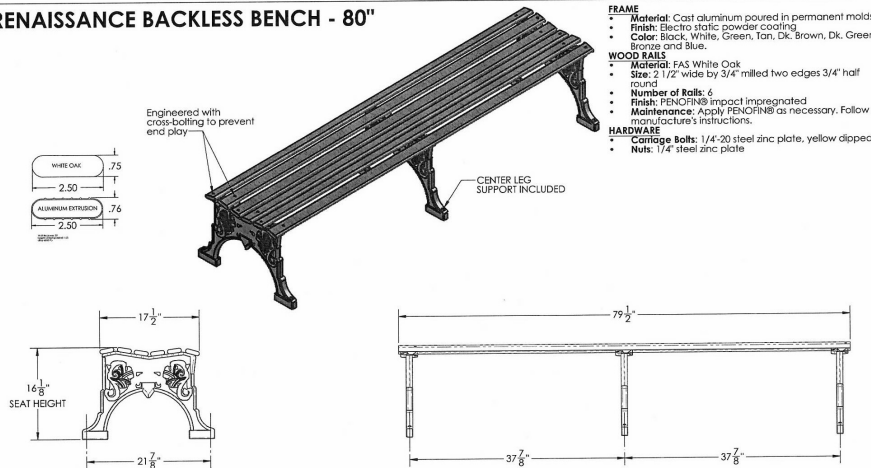
RENAISSANCE BACKLESS BENCH - 60"



- FRAME**
- Material: Cast aluminum poured in permanent molds
 - Finish: Electro static powder coating
 - Color: Black, White, Green, Tan, Dk. Brown, Dk. Green, Bronze and Blue.
- WOOD RAILS**
- Material: FAS White Oak
 - Size: 2 1/2" wide by 3/4" milled two edges 3/4" half round
 - Number of Rails: 6
 - Finish: PENOFIN® impact impregnated
 - Maintenance: Apply PENOFIN® as necessary. Follow manufacturer's instructions.
- HARDWARE**
- Carriage Bolts: 1/4"-20 steel zinc plate, yellow dipped
 - Nuts: 1/4" steel zinc plate

PRODUCT SPECIFICATIONS

RENAISSANCE BACKLESS BENCH - 80"



- FRAME**
- Material: Cast aluminum poured in permanent molds
 - Finish: Electro static powder coating
 - Color: Black, White, Green, Tan, Dk. Brown, Dk. Green, Bronze and Blue.
- WOOD RAILS**
- Material: FAS White Oak
 - Size: 2 1/2" wide by 3/4" milled two edges 3/4" half round
 - Number of Rails: 6
 - Finish: PENOFIN® impact impregnated
 - Maintenance: Apply PENOFIN® as necessary. Follow manufacturer's instructions.
- HARDWARE**
- Carriage Bolts: 1/4"-20 steel zinc plate, yellow dipped
 - Nuts: 1/4" steel zinc plate

NATIONAL OUTDOOR FURNITURE, INC.
 1210 W. Main Street #296 Riverhead, NY 11901
 Toll-Free Phone: 1-888-663-4621
 Phone: 631-369-9099 Fax: 631-207-8312
 Email: nofinc@optonline.net
www.nationaloutdoorfurniture.com

NATIONAL OUTDOOR FURNITURE, INC.
 144 Murdock Road #325 Pomfret Center, CT 06259
 Toll-Free Phone: 1-888-516-8873
 Phone: 1-860-974-9996 Fax: 516-706-1901
 Email: nofinc@earthlink.net
www.nationaloutdoorfurniture.com