



**Metro Bench – Portable/Surface/
Inground Mount.**

- Dimensions: 28" D x 32 7/8"H.
- Made with four 7 1/4 x 2 1/2" thick recycled plastic slats.
- Two 2" x 2" square black polyester coated plastic steel legs.
- Includes UV protectant.
- Brown or Gray slats.
- 100% Recycled plastic slats. Made in the USA.
- Some assembly required.

NOF# KR MB

KR MB 48" 4 Ft bench, 147 lbs. Two legs.

KR MB 60" 5 Ft bench, 174 lbs. Two legs.

KR MB 72" 6 Ft bench, 200 lbs. Two legs.

KR MB 96" 8 Ft bench, 270 lbs. Three legs.

Aluminum Slat Colors: Black, White, Brown, Tan, Evergreen, Dk. Green, Bronze, Blue.

Recycled Plastic Slat Color: Brown/Gray.

Cast Aluminum Arm Finishes



White



Black



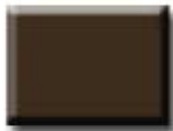
Evergreen



Dark Green



Tan



Brown



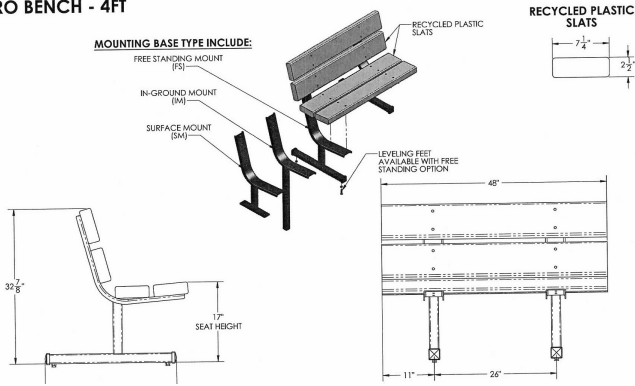
Blue



Bronze

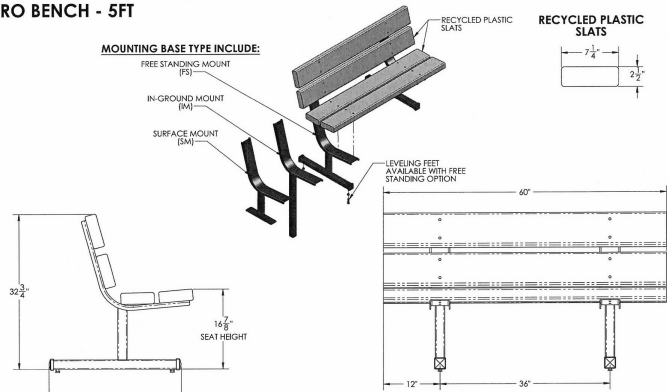
PRODUCT SPECIFICATIONS

METRO BENCH - 4FT



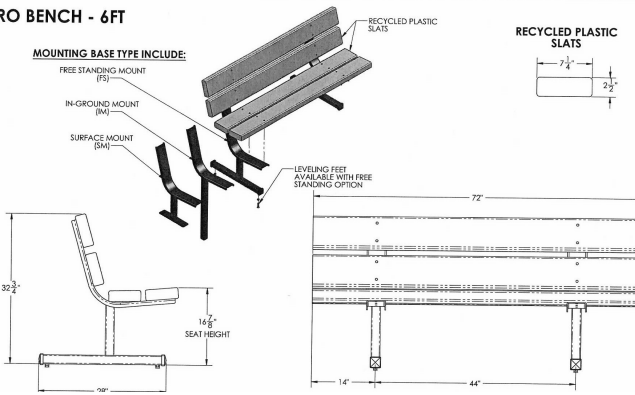
PRODUCT SPECIFICATIONS

METRO BENCH - 5FT



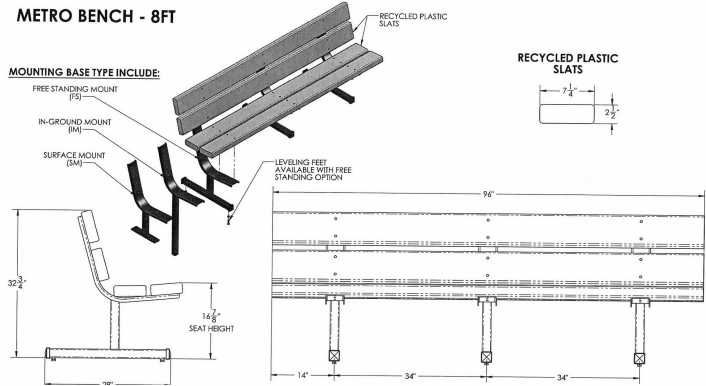
PRODUCT SPECIFICATIONS

METRO BENCH - 6FT



PRODUCT SPECIFICATIONS

METRO BENCH - 8FT



NATIONAL OUTDOOR FURNITURE, INC.
 1210 W. Main Street #296 Riverhead, NY 11901
 Toll-Free Phone: 1-888-663-4621
 Phone: 631-369-9099 Fax: 631-207-8312
 Email: nofinc@optonline.net
www.nationaloutdoorfurniture.com

NATIONAL OUTDOOR FURNITURE, INC.
 144 Murdock Road #325 Pomfret Center, CT 06259
 Toll-Free Phone: 1-888-516-8873
 Phone: 1-860-974-9996 Fax: 516-706-1901
 Email: nofinc@earthlink.net
www.nationaloutdoorfurniture.com