



4' Jameson Recycled Plastic Bench - Surface Mount.

- ✓ Also available 6' and 8' lengths.
- ✓ 140 lbs.
- ✓ Dim: 48"W x 11"D x 32 1/2" Ht.
- ✓ Made with eight 3" x 4" recycled plastic slats and two black powdercoated bases.
- ✓ All holes are predrilled and countersunk for plastic lumber.
- ✓ Pre-drilled for surface mounting purposes.
- ✓ Includes a UV protectant.
- ✓ Maintenance free.
- ✓ Slats available in cedar, brown and gray with black base.
- ✓ Some assembly required.

Item# JP PB4JAMSM

Model Number	Weight	Dimensions
JP PB4JAMSM	140 Lbs.	48"W x 32 1/2"D x 32 1/2" Ht.- 2 Bases – Surface Mount.
JP PB6JAMSM	190 Lbs.	72"W x 32 1/2"D x 32 1/2" Ht.- 3 Bases - Surface Mount.
JP PB8JAMSM	240 Lbs.	84"W x 32 1/2"D x 32 1/2" Ht.- 4 Bases - Surface Mount.

Resinwood Slat Colors



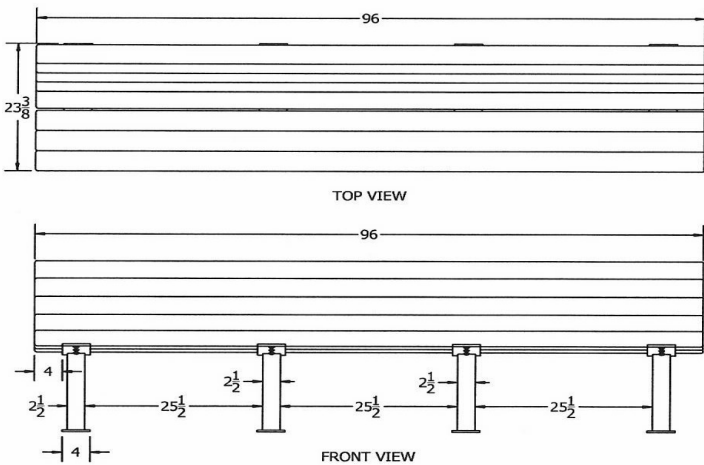
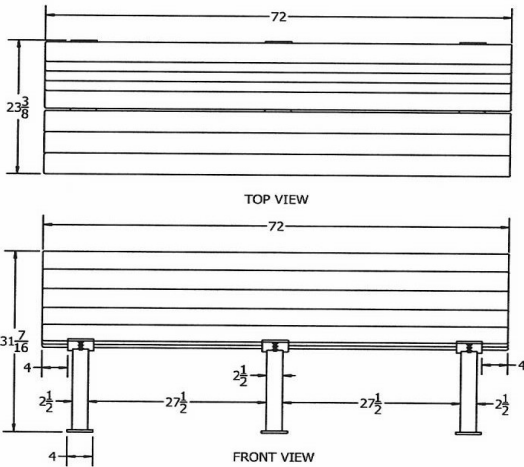
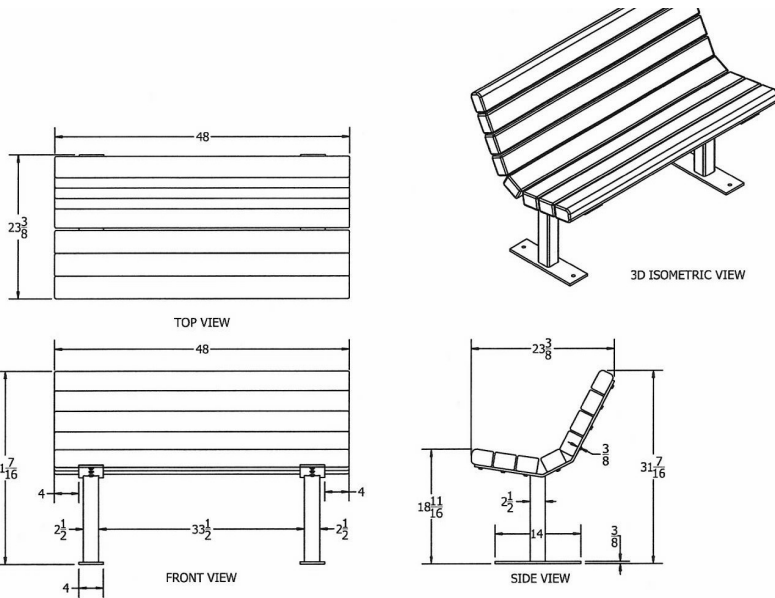
Cedar



Brown



Gray



NATIONAL OUTDOOR FURNITURE, INC.
 1210 W. Main Street #296 Riverhead, NY 11901
 Toll-Free Phone: 1-888-663-4621
 Phone: 631-369-9099 Fax: 631-207-8312
 Email: nofinc@optonline.net
www.nationaloutdoorfurniture.com

NATIONAL OUTDOOR FURNITURE, INC.
 144 Murdock Road #325 Pomfret Center, CT 06259
 Toll-Free Phone: 1-888-516-8873
 Phone: 1-860-974-1551 Fax: 516-706-1901
 Email: nofinc@earthlink.net
www.nationaloutdoorfurniture.com