



6' Recycled Plastic Picnic Table with (2) Attached Seats - Portable.

- 310 lbs.
- Dim: 72"W x 57"D x 28 1/2"H - Top is 28"D.
- Table top and seats are made with 2" x 10" recycled plastic slats and black recycled plastic base.
- All holes are predrilled and countersunk for plastic lumber.
- Includes a UV protectant.
- Maintenance free.
- No umbrella hole.
- Table top and seats available in green, cedar, brown and gray with black base.
- Some assembly required.

Item #: JP PB6PARKP

Model Number	Description
JP PB6PARKP	6 Ft. Table 310 Lbs.
JP PB8PARKP	8 Ft. Table 350 Lbs.

Resinwood Slat Colors



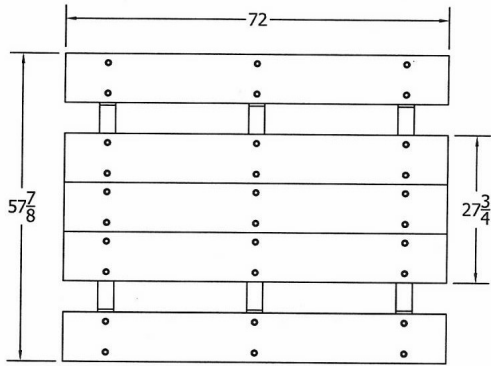
Cedar



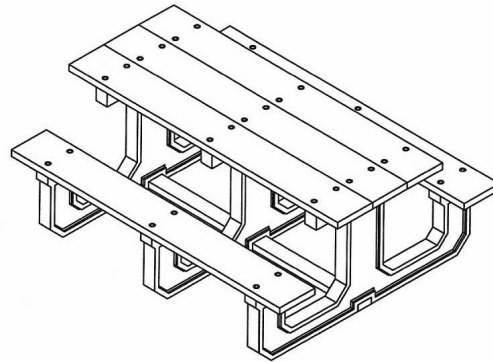
Brown



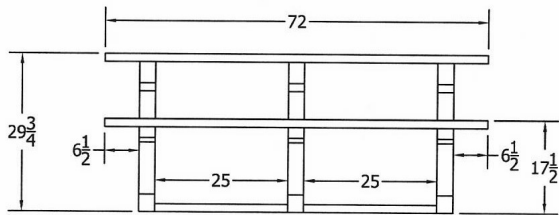
Gray



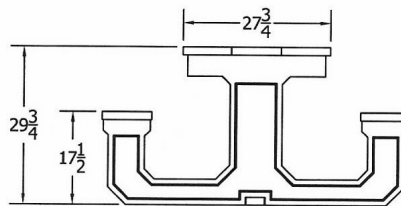
TOP VIEW



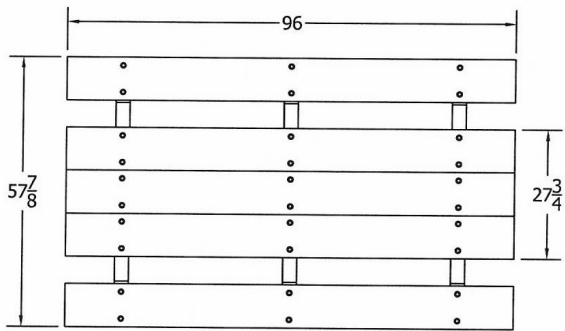
3D ISOMETRIC VIEW



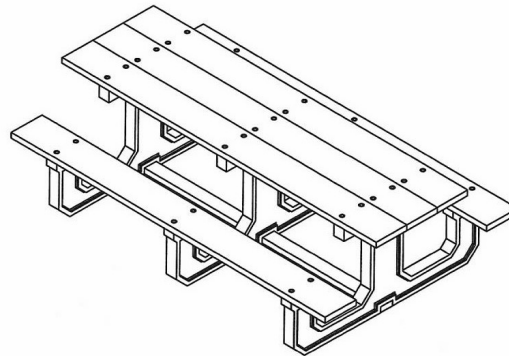
FRONT VIEW



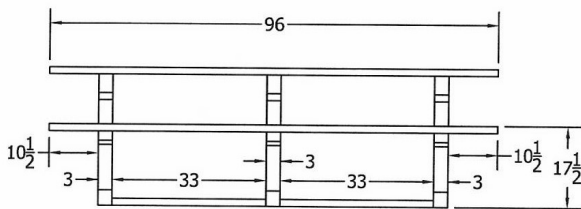
SIDE VIEW



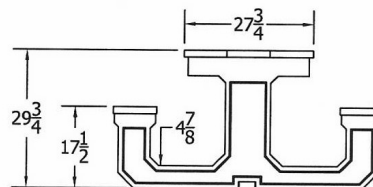
TOP VIEW



3D ISOMETRIC VIEW



FRONT VIEW



SIDE VIEW

NATIONAL OUTDOOR FURNITURE, INC.

1210 W. Main Street #296 Riverhead, NY 11901
 Toll-Free Phone: 1-888-663-4621
 Phone: 631-369-9099 Fax: 631-207-8312
 Email: nofinc@optonline.net
www.nationaloutdoorfurniture.com

NATIONAL OUTDOOR FURNITURE, INC.

144 Murdock Road #325 Pomfret Center, CT 06259
 Toll-Free Phone: 1-888-516-8873
 Phone: 1-860-974-9996 Fax: 516-706-1901
 Email: nofinc@earthlink.net
www.nationaloutdoorfurniture.com