



Recycling Center – Two and Three 32 Gallon Square Plastic Recycled Trash Recycling Containers.

- 150 lbs.
- Containers made of 1" x 4" recycled plastic slats and rust-proof recycled plastic rings.
- 4" x 4" Post can be anchored into the ground or cut off and surface mounted. Post is clearly labeled with "recycle".
- Each container is engraved with the label of your choice: glass, cans, aluminum, plastic, bottles, paper.
- Includes a UV protectant.
- Heavy duty zinc coated hardware.
- Liners sold separately.
- Containers available in cedar and green with black lid.
- Available in two and three 32 gallon containers.
- Some assembly required.
- Recycled plastic made from 100% recycled material.

Item #: JP PB64SREC

JP PB64SREC	Two 32 Gallon Recycled Trash
JP PB96SREC	Three 32 Gallon Recycled Trash

Resinwood Slat Colors



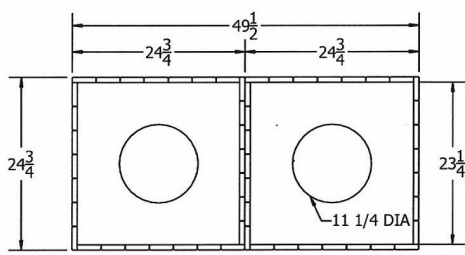
Cedar



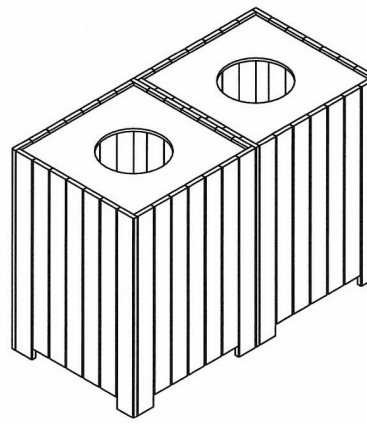
Brown



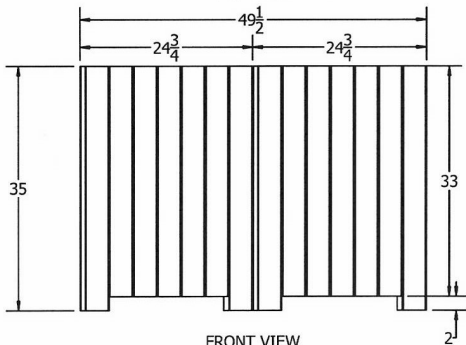
Gray



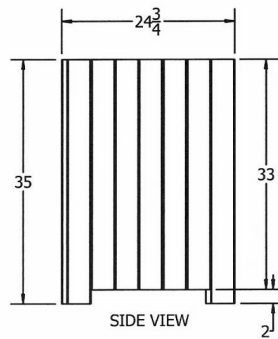
TOP VIEW



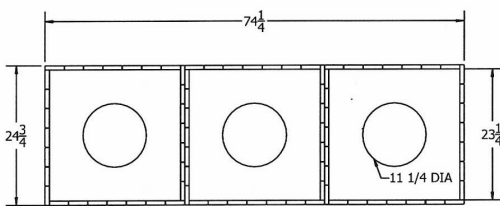
3D ISOMETRIC VIEW



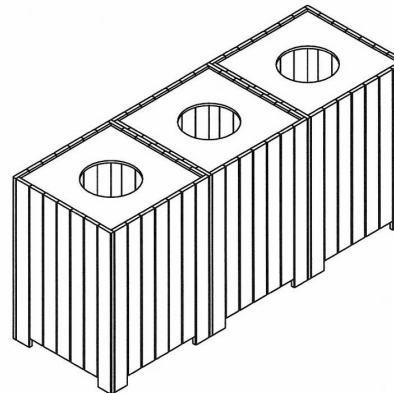
FRONT VIEW



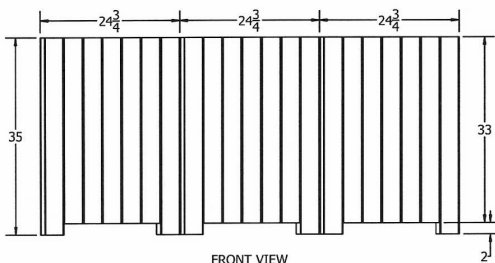
SIDE VIEW



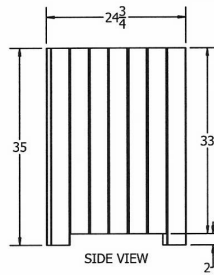
TOP VIEW



3D ISOMETRIC VIEW



FRONT VIEW



SIDE VIEW

NATIONAL OUTDOOR FURNITURE, INC.
 1210 W. Main Street #296 Riverhead, NY 11901
 Toll-Free Phone: 1-888-663-4621
 Phone: 631-369-9099 Fax: 631-207-8312
 Email: nofinc@optonline.net
www.nationaloutdoorfurniture.com

NATIONAL OUTDOOR FURNITURE, INC.
 144 Murdock Road #325 Pomfret Center, CT 06259
 Toll-Free Phone: 1-888-516-8873
 Phone: 1-860-974-9996 Fax: 516-706-1901
 Email: nofinc@earthlink.net
www.nationaloutdoorfurniture.com