



Recycled Plastic Bike Rack.

- *Surface mounting kit available.*
- 135 Lbs.
- Dim: 63"W x 42"D x 32 1/4"H.
- Made with 2" x 4" and 2" x 3" Resinwood slats.
- Designed to hold 6–10 bikes, and it can hold bikes on both sides.
- Heavy duty, zinc coated hardware standard.
- Includes a UV protectant.
- Maintenance free.
- Available in green and cedar.
- Some assembly required.

Item #: JP PBIKE

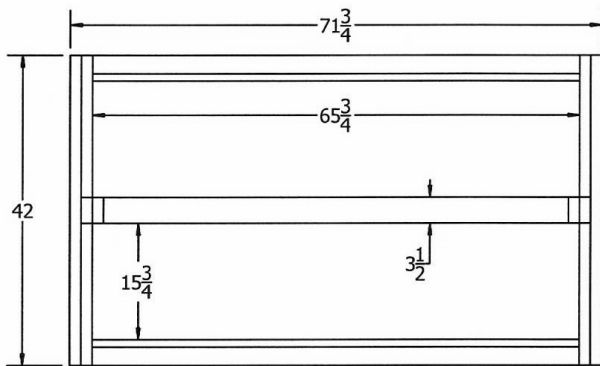
Resinwood Slat Colors



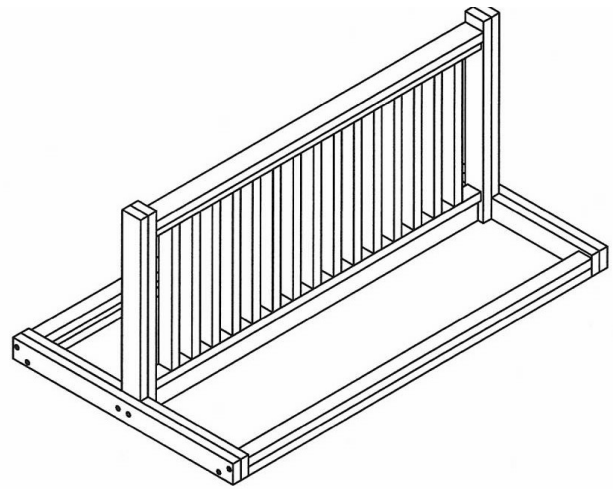
Cedar



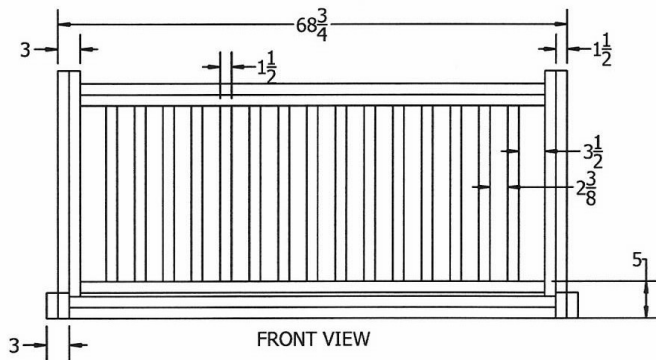
Green



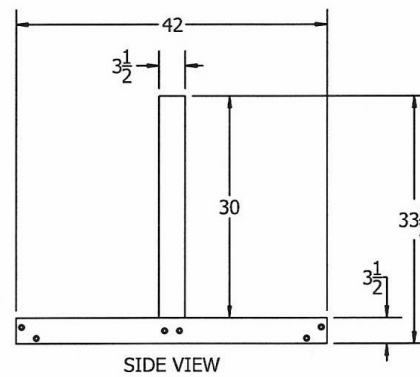
TOP VIEW



3D ISOMETRIC VIEW



FRONT VIEW



SIDE VIEW

NATIONAL OUTDOOR FURNITURE, INC.

1210 W. Main Street #296 Riverhead, NY 11901
 Toll-Free Phone: 1-888-663-4621
 Phone: 631-369-9099 Fax: 631-207-8312
 Email: nofinc@optonline.net
www.nationaloutdoorfurniture.com

NATIONAL OUTDOOR FURNITURE, INC.

144 Murdock Road #325 Pomfret Center, CT 06259
 Toll-Free Phone: 1-888-516-8873
 Phone: 1-860-974-9996 Fax: 516-706-1901
 Email: nofinc@earthlink.net
www.nationaloutdoorfurniture.com