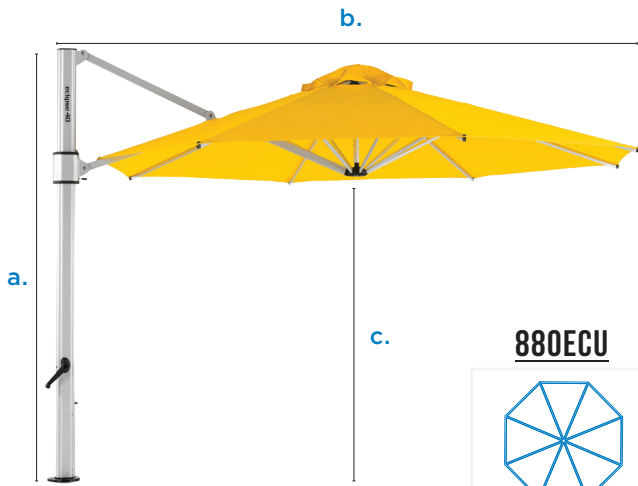




ECLIPSE SERIES

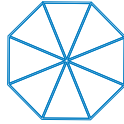
COMMERCIAL CANTILEVER



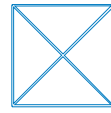
ITEM NUMBERS:

880ECU

883ECU-SQ



Octagon



Square

DIMENSIONS OF OPEN UMBRELLA:

| | | |
|---|------------|------------|
| Width Of Canopy | 13' | 10'X10' |
| a: Overall Height | 105" | 105" |
| b: Distnace From Rear Mast To Edge | 159" | 135" |
| c: Canopy To Ground Clearece (90° Angle) | 80" | 82" |
| Mast Diameter | 3.25" X 5" | 3.25" X 5" |
| 13.5' DIAGONAL | Weight | 140LBS. |
| | | 120LBS. |

DIMENSIONS OF CLOSED UMBRELLA:

| | | |
|---|-----|-----|
| d: Canopy To Ground Clearance | 25" | 31" |
| e: Distnace From Rear Mast To Edge | 13" | 11" |

PACKING DIMENSIONS:

| | | |
|-------------------------------------|---------------|---------------|
| Dimensions of Cardboard Package | 115"X 20"X11" | 115"X 20"X11" |
| Individual Umbrella Packaged Weight | 165LBS. | 145LBS. |
| Maximum Umbrella Per Package | 1 | 1 |
| Maximum Umbrella Pacakged Weight | 165LBS. | 145LBS. |

KEY FEATURES:

DETAILS:

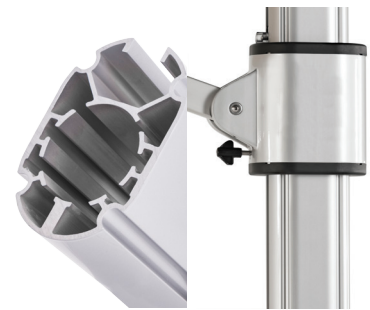
- ◆ 9oz. Marine Grade Acrylic Fabric
- ◆ Marine Grade Corrosion Resistant Aluminum Frame
- ◆ Full 360° Rotation
- ◆ Multiple Mounting Options Available
- ◆ Smooth & Easy Crank Lift
- ◆ Extruded Aluimum Mast
- ◆ Commercial Tilt Locking



Frame Finish



Brushed Silver



9 Oz. Marine Grade Acrylic Fabric



Frame Finishes



Eclipse Mounting Options



ECU-DP Surface Mounting Plate

W: 12 lbs./5 kg D: 12.5"/32cm H: 5"/12.7mm

Direct surface mounting deck plate. Can be mounted to concrete or wood deck or any stable solid surface.

Please consult a licensed professional for in-ground or surface mounting installations.



ECU-IG In-Ground Mount

W: 18 lbs./8 kg D: 8"/20cm H: 20"/50cm

In-ground mounting stem for concrete, soil, hard clay.

Please consult a licensed professional for in-ground or surface mounting installations.

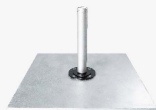


40Gx3 Max Galvanized Plate Stack

W: 655 lbs./262 kg D: 40"/101cm H: 2"/50mm

Triple stack 40G is a require minimum Galvanized plate option for the Eclipse® Cantilever.

NOTE: When stacking plates, bolts will only "bite" to bottom plate. Rotate thread-less holes on additional stacking plates to match threaded holes on bottom plate.



36G-SQx3 Max Galvanized Plate Stack

W: 600 lbs./272 kg D: 36"/91cm H: 2"/50mm

Triple stack 36G-SQ is a require minimum Galvanized plate option for the Eclipse® Cantilever.

NOTE: When stacking square plates, there is a dedicated threaded "bottom" plate. Additional top plates will not be threaded. Bolts only bite to bottom plate.



NGUS50 Galvanized Steel Max

W: 550 lbs./249 kg D: 45"/114cm H: 5"/13cm

Galvanized steel box frame slotted with concrete pavers and matte silver anodized aluminum lid.

NATIONAL OUTDOOR FURNITURE, INC.

1210 W. Main Street #296 Riverhead, NY 11901

Toll-Free Phone: 1-888-663-4621

Phone: 631-369-9099 Fax: 631-207-8312

Email: nofinc@optonline.net

www.nationaloutdoorfurniture.com

NATIONAL OUTDOOR FURNITURE, INC.

144 Murdock Road #325 Pomfret Center, CT 06259

Toll-Free Phone: 1-888-516-8873

Phone: 1-860-974-9996 Fax: 516-706-1901

Email: nofinc@earthlink.net

www.nationaloutdoorfurniture.com